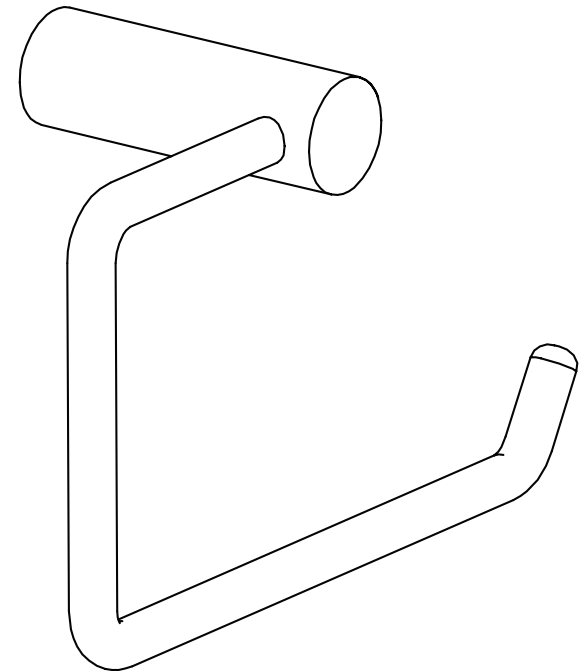
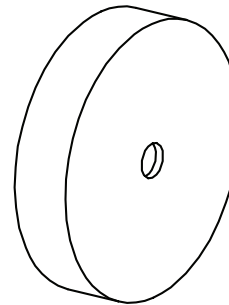
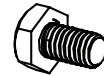
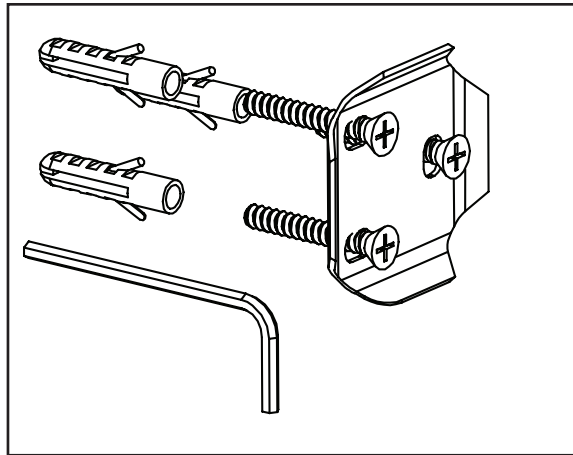


Product Code: ALUTRHC/BB

Revision: DI



1	Fixing Kit
2	
3	
4	
5	
6	
7	
8	