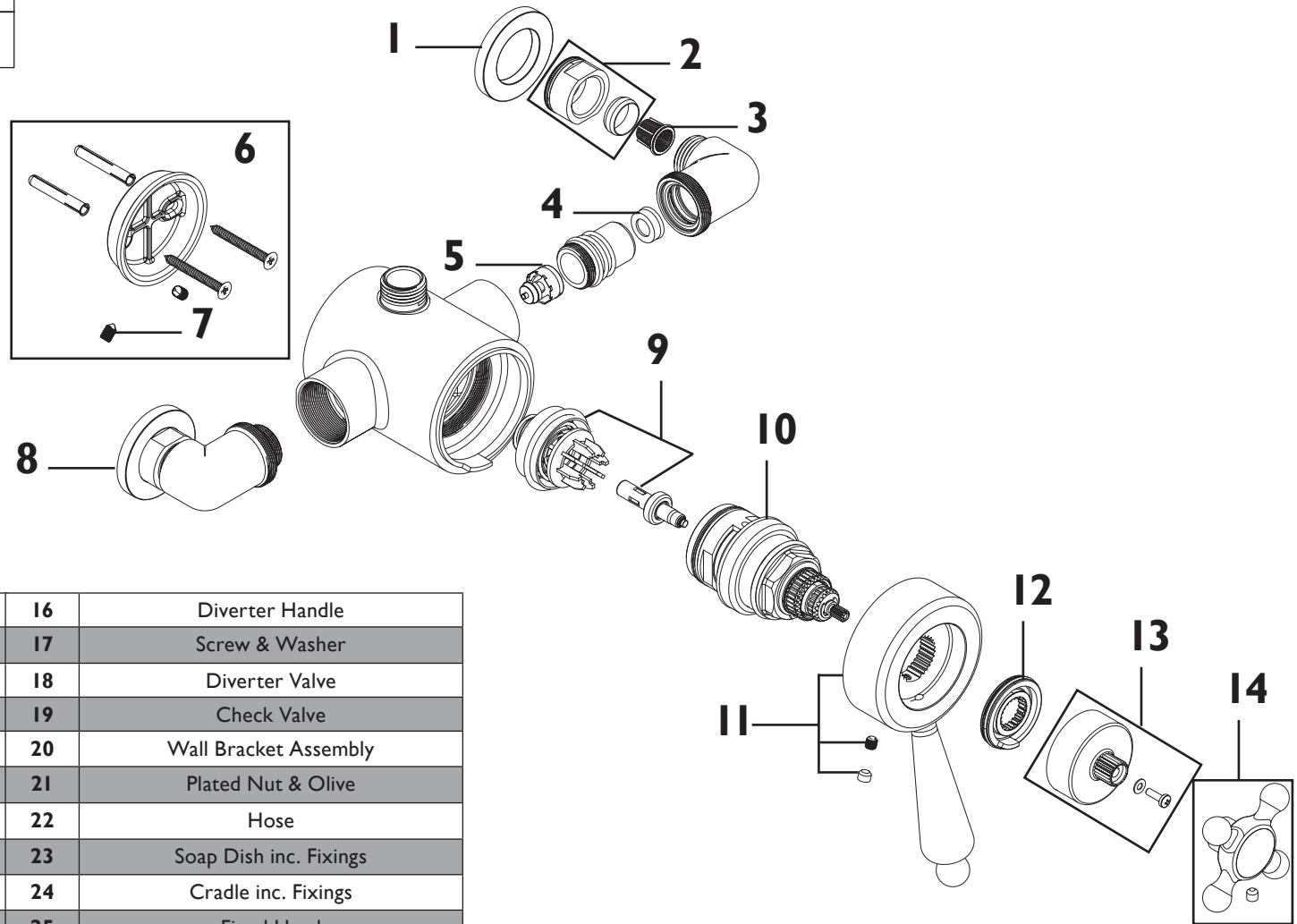


Product Code: STRCDUAL02

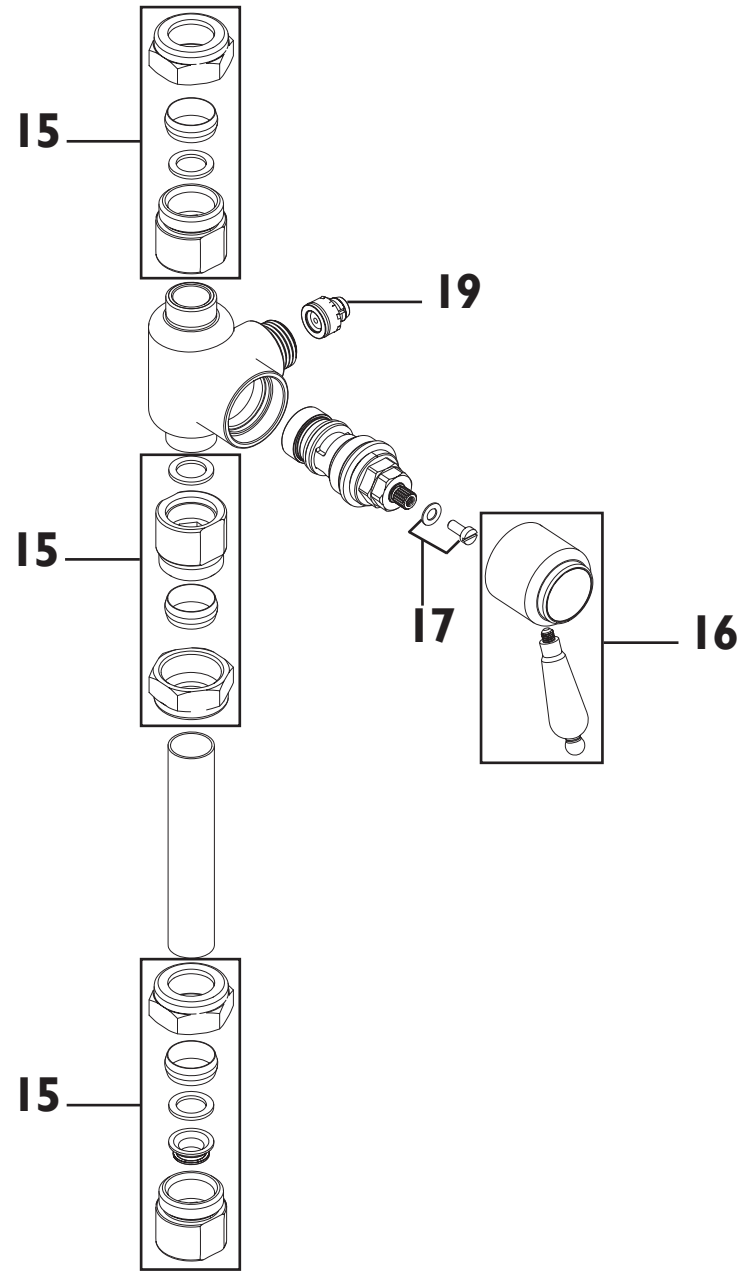
Revision: DI



1	Plinth	16	Diverter Handle
2	Plated Nut & Olive	17	Screw & Washer
3	Basket Filter	18	Diverter Valve
4	8lpm Flow Limiter	19	Check Valve
5	1/2" Check Valve	20	Wall Bracket Assembly
6	Backplate and Fixings	21	Plated Nut & Olive
7	Backplate Grub Screw	22	Hose
8	Elbow Assembly (Pair)	23	Soap Dish inc. Fixings
9	Thermostat & Piston Assembly	24	Cradle inc. Fixings
10	Thermostatic Cartridge	25	Fixed Head
11	Flow Handle	26	Handset Elbow
12	Temperature Stop	27	Filter Washer
13	Handle Adaptor	28	Single Function Handset
14	Temperature Handle	29	Riser Rail
15	Nut, Olive & Connector Kit	30	Wall Arm

Product Code: STRCDUAL02

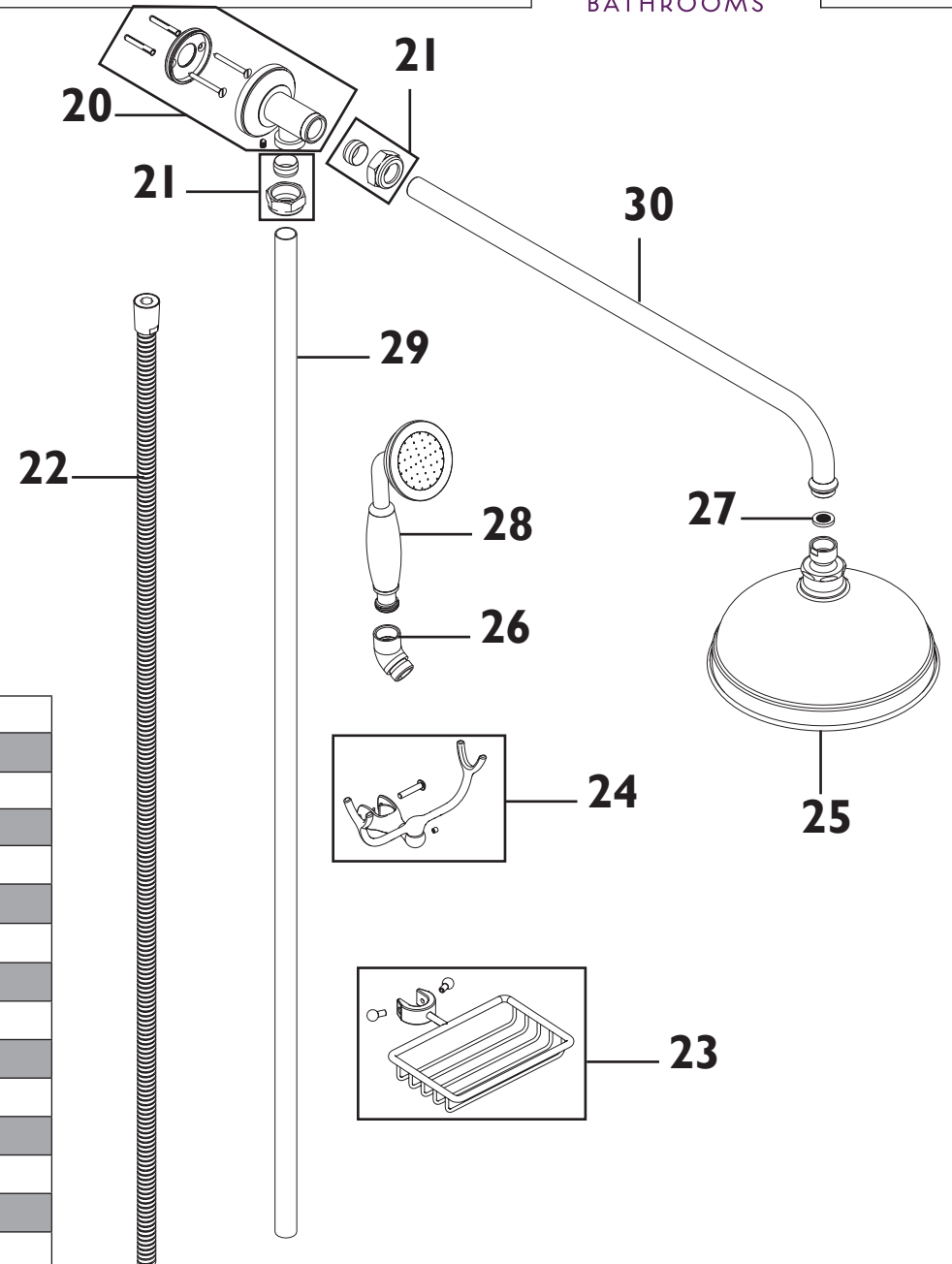
Revision: DI



1	Plinth	16	Diverter Handle
2	Plated Nut & Olive	17	Screw & Washer
3	Basket Filter	18	Diverter Valve
4	8lpm Flow Limiter	19	Check Valve
5	1/2" Check Valve	20	Wall Bracket Assembly
6	Backplate and Fixings	21	Plated Nut & Olive
7	Backplate Grub Screw	22	Hose
8	Elbow Assembly (Pair)	23	Soap Dish inc. Fixings
9	Thermostat & Piston Assembly	24	Cradle inc. Fixings
10	Thermostatic Cartridge	25	Fixed Head
11	Flow Handle	26	Handset Elbow
12	Temperature Stop	27	Filter Washer
13	Handle Adaptor	28	Single Function Handset
14	Temperature Handle	29	Riser Rail
15	Nut, Olive & Connector Kit	30	Wall Arm

Product Code: STRCDUAL02

Revision: DI



1	Plinth	16	Diverter Handle
2	Plated Nut & Olive	17	Screw & Washer
3	Basket Filter	18	Diverter Valve
4	8lpm Flow Limiter	19	Check Valve
5	1/2" Check Valve	20	Wall Bracket Assembly
6	Backplate and Fixings	21	Plated Nut & Olive
7	Backplate Grub Screw	22	Hose
8	Elbow Assembly (Pair)	23	Soap Dish inc. Fixings
9	Thermostat & Piston Assembly	24	Cradle inc. Fixings
10	Thermostatic Cartridge	25	Fixed Head
11	Flow Handle	26	Handset Elbow
12	Temperature Stop	27	Filter Washer
13	Handle Adaptor	28	Single Function Handset
14	Temperature Handle	29	Riser Rail
15	Nut, Olive & Connector Kit	30	Wall Arm