



Specification

Finish/Colour:	Chrome
Main Construction Material:	Brass
No of Controls:	2
Shower Type:	Exposed Thermostatic Shower
Shower Head Type:	Shower Rose and Handset
Valve/Cartridge Type:	Thermostatic Cartridge
Maximum Hot Water Supply Temperature °C:	65
Maximum Static Pressure: (bar)	10
Plumbing System Suitability:	All - Ideally Balanced
Working Pressure Range:	Min. 0.2 Bar, Max. 5.0 Bar
Connection Inlet:	15mm Compression
Connection Outlet:	15mm Compression
Isolation Valve Included:	No
Check Valve Included:	Yes

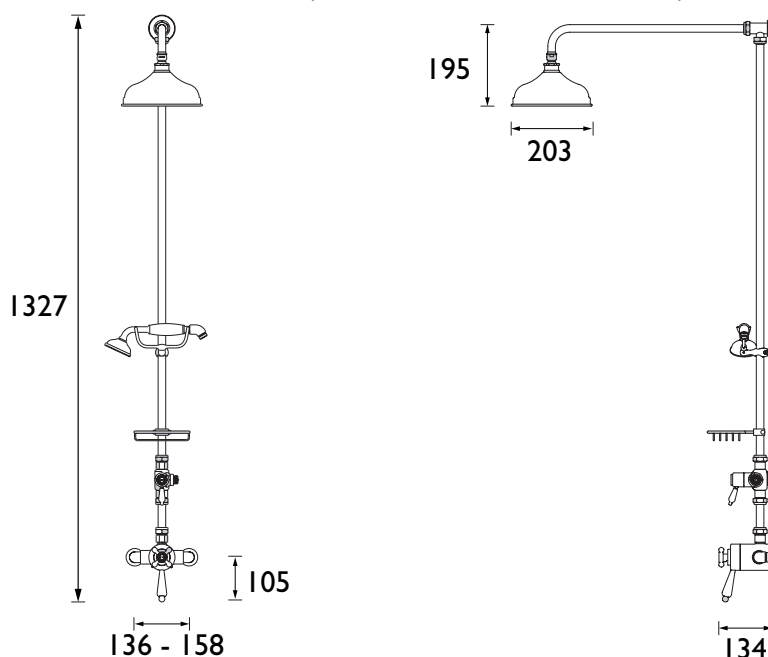
Features:

- 15mm inlet connections
- Easy replacement with adjustable inlets so you can use on existing pipework centres between 136mm and 158mm
- Thermostatic cartridge with preset temperature stop at 42°C
- Supplied with 2 x 8L/min flow regulators
- Traditional shower kit with external diverter, shower rose, rigid riser, hose, handset, soap basket and cradle

Product Certifications:



Dimensions (measurements in mm)



Flow Rates (l/min)

System Pressure (bar)	0.2	0.5	1	2	3	5
Through Handset (mixed)	2.8	6.3	10	15.1	18.3	22.5
Through Fixed Head (mixed)	4	10.2	15.3	22.3	27.4	35.1
Through Handset (with flow regulators)	4.6	7.3	10	14.1	16.6	17
Through Fixed Head (with flow regulators)	5.7	9.0	13.5	17.4	16.4	16.5

Additional Information: