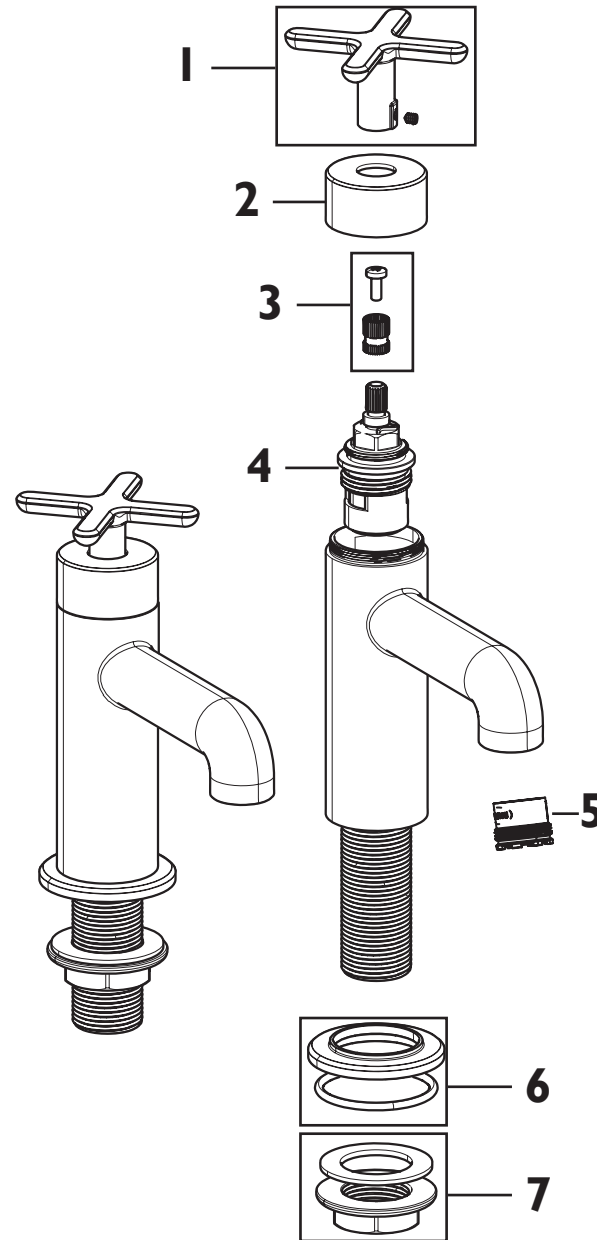


**Product Code:** TSAC\_\_T01

**Revision:** DI



1	Handle Assembly (Pair)
2	Shroud
3	Spline Adaptor
4	Valve
5	Flow Straightener
6	Plinth and Washer
7	Backnut and Washer