



## Specification

<b>Product Type:</b>	Bathroom Tap
<b>Main Construction Material:</b>	Brass
<b>Mount Type:</b>	Floor
<b>Handle Type:</b>	Crosshead
<b>Connection Inlet:</b>	3/4" BSP
<b>Connection Outlet:</b>	Flow Straightener
<b>Number of Tap Holes:</b>	2
<b>Valve/Cartridge Type:</b>	3/4" Ceramic Disc Valve
<b>Plumbing System Requirements:</b>	Suitable for all plumbing systems
<b>Minimum Dynamic Pressure (bar):</b>	0.5 bar
<b>Maximum Dynamic Pressure (bar):</b>	5 bar
<b>Maximum Hot Water Temperature °C:</b>	65°C
<b>Maximum Static Pressure (bar):</b>	10 bar
<b>Flow Type:</b>	Single Flow
<b>Isolation Included:</b>	No

### Features:

- Compatible with low pressure water systems, optimised for UK market
- Quarter turn ceramic discs - for smooth operation and added durability
- Available in a selection of finishes

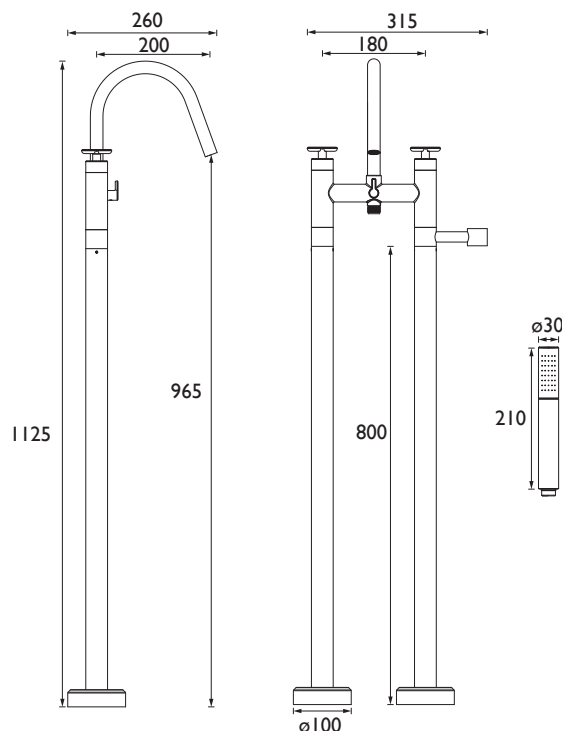
### Product Certifications:



### Additional Information:

- Handset holder can be placed either side of the tap

## Dimensions (measurements in mm)



## Flow Rates (l/min)

System Pressure (bar)	0.5	1	2	3	4	5
Through Bath Filler (mixed)	12.8	19.1	25.2	31.4	36.3	40.5
Through Handset (mixed)	6.4	9.8	14.5	17.9	21.5	23.7