



Specification

| | |
|--|-----------------------------------|
| Product Type: | Bathroom Tap |
| Main Construction Material: | Brass |
| Mount Type: | Deck |
| Handle Type: | Cross Head |
| Connection Inlet: | 3/4" BSP |
| Connection Outlet: | Flow Straightener |
| Number of Tap Holes: | 2 |
| Valve/Cartridge Type: | 1/2" Ceramic Disc Valve |
| Plumbing System Requirements: | Suitable for all plumbing systems |
| Minimum Dynamic Pressure (bar): | 0.2 bar |
| Maximum Dynamic Pressure (bar): | 5 bar |
| Maximum Hot Water Temperature °C: | 65°C |
| Maximum Static Pressure (bar): | 10 bar |
| Isolation Included: | No |

Features:

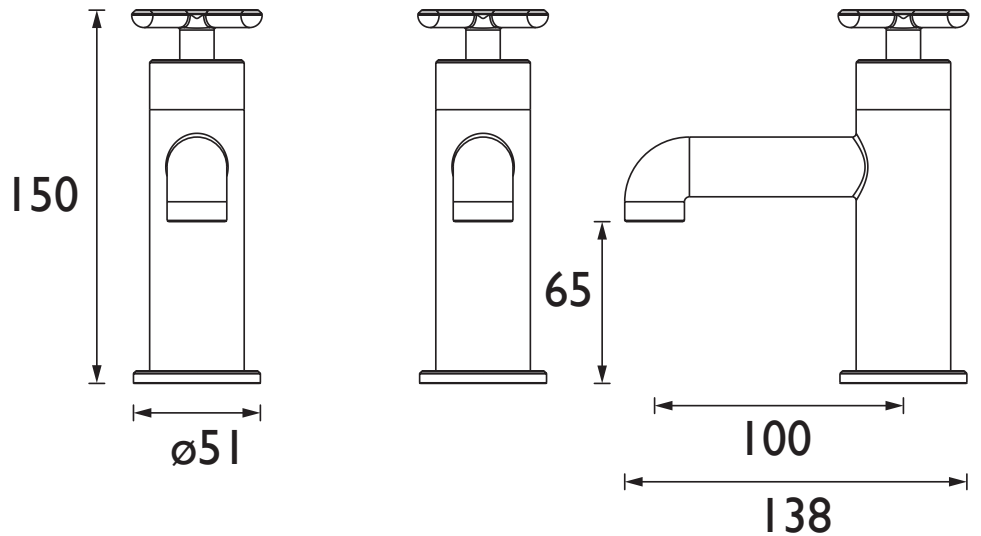
- Compatible with low pressure water systems, optimised for UK market
- Quarter turn ceramic discs - for smooth operation and added durability
- Available in a selection of finishes

Product Certifications:



WRAS Cert. Number: 2301904
WRAS Expiry Date: 31/01/2028

Dimensions (measurements in mm)



Additional Information:

Flow Rates (l/min)

| System Pressure (bar) | 0.2 | 0.5 | 1 | 2 | 3 | 5 |
|-----------------------|-------|-------|-------|-------|-------|-------|
| TSACBL01 (Cold) | 14.22 | 23.16 | 33.06 | 46.88 | 57.26 | 73.84 |
| TSACBL01 (Hot) | 14.82 | 23.52 | 33.3 | 47.16 | 57.54 | 74.19 |