



Specification

Product Type:	Bathroom Tap
Main Construction Material:	Brass
Mount Type:	Floor
Handle Type:	Crosshead
Connection Inlet:	3/4" BSP
Connection Outlet:	Flow Straightener
Number of Tap Holes:	2
Valve/Cartridge Type:	3/4" Ceramic Disc Valve
Plumbing System Requirements:	Suitable for all plumbing systems
Minimum Dynamic Pressure (bar):	0.5 bar
Maximum Dynamic Pressure (bar):	5 bar
Maximum Hot Water Temperature °C:	65°C
Maximum Static Pressure (bar):	10 bar
Flow Type:	Single Flow
Isolation Included:	No

Features:

- Compatible with low pressure water systems, optimised for UK market
- Quarter turn ceramic discs - for smooth operation and added durability
- Available in a selection of finishes

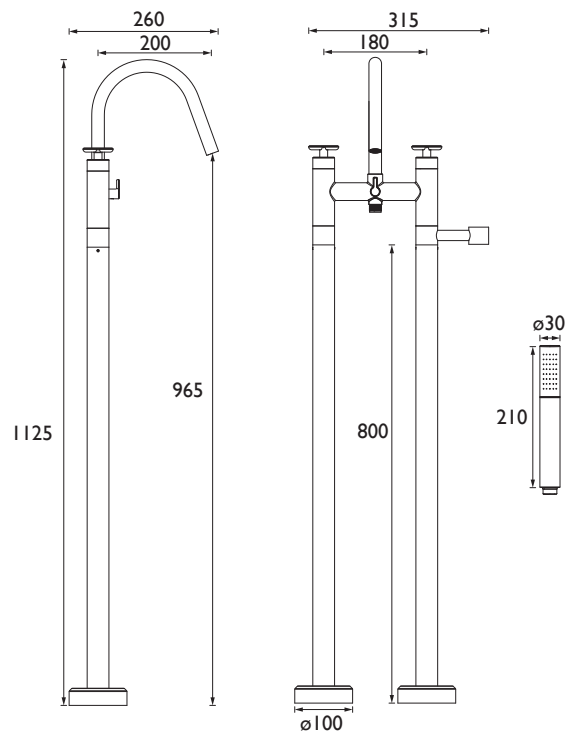
Product Certifications:



Additional Information:

- Handset holder can be placed either side of the tap

Dimensions (measurements in mm)



Flow Rates (l/min)

System Pressure (bar)	0.5	1	2	3	4	5
Through Bath Filler (mixed)	12.8	19.1	25.2	31.4	36.3	40.5
Through Handset (mixed)	6.4	9.8	14.5	17.9	21.5	23.7