



Specification

| | |
|--|-----------------------------------|
| Product Type: | Bathroom Tap |
| Main Construction Material: | Brass |
| Mount Type: | Deck |
| Handle Type: | Cross Head |
| Connection Inlet: | 1/2 BSP Flexible Tails |
| Connection Outlet: | Coin Slot aerator |
| Number of Tap Holes: | 1 |
| Valve/Cartridge Type: | 1/2 inch Ceramic Disc Valve |
| Plumbing System Requirements: | Suitable for all plumbing systems |
| Minimum Dynamic Pressure (bar): | 0.5 bar |
| Maximum Dynamic Pressure (bar): | 5 bar |
| Maximum Hot Water Temperature °C: | 65°C |
| Maximum Static Pressure (bar): | 10 bar |
| Flow Type: | Single Flow |
| Isolation Included: | No |

Features:

- Compatible with low pressure water systems, optimised for UK market
- Quarter turn ceramic discs - for smooth operation and added durability
- Available in a selection of finishes

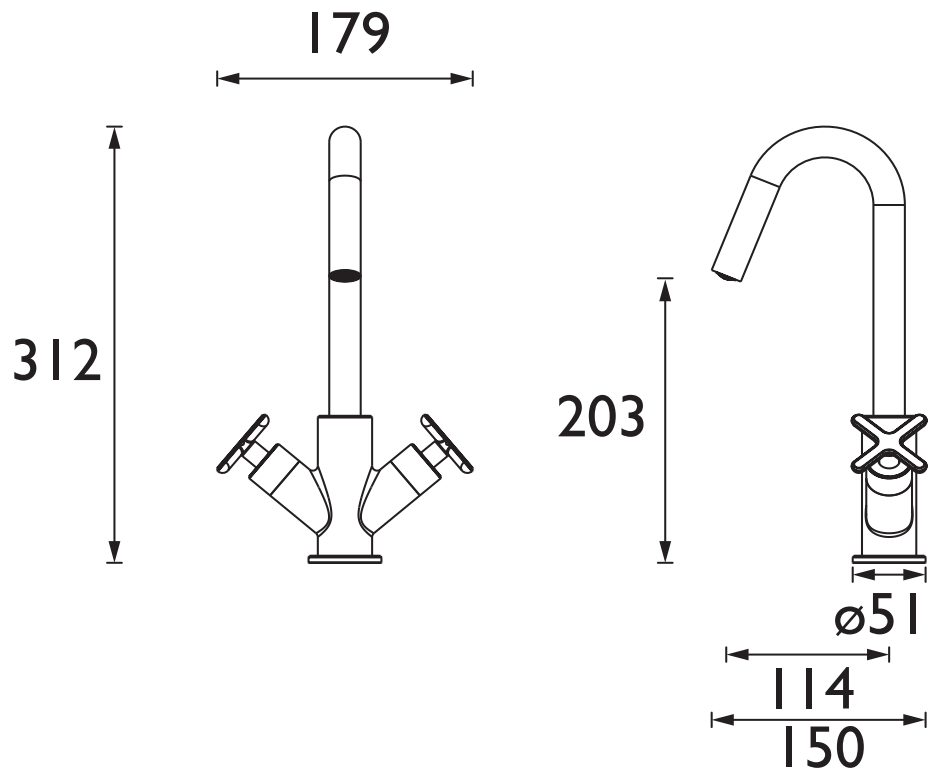
Product Certifications:



WRAS Cert. Number: 2301905
WRAS Expiry Date: 31/01/2028



Dimensions (measurements in mm)



Flow Rates (l/min)

| System Pressure (bar) | 0.5 | 1 | 2 | 3 | 4 | 5 |
|-----------------------|-----|---|---|---|---|---|
| TSACBB04 (mixed) | 5 | 5 | 5 | 5 | 5 | 5 |