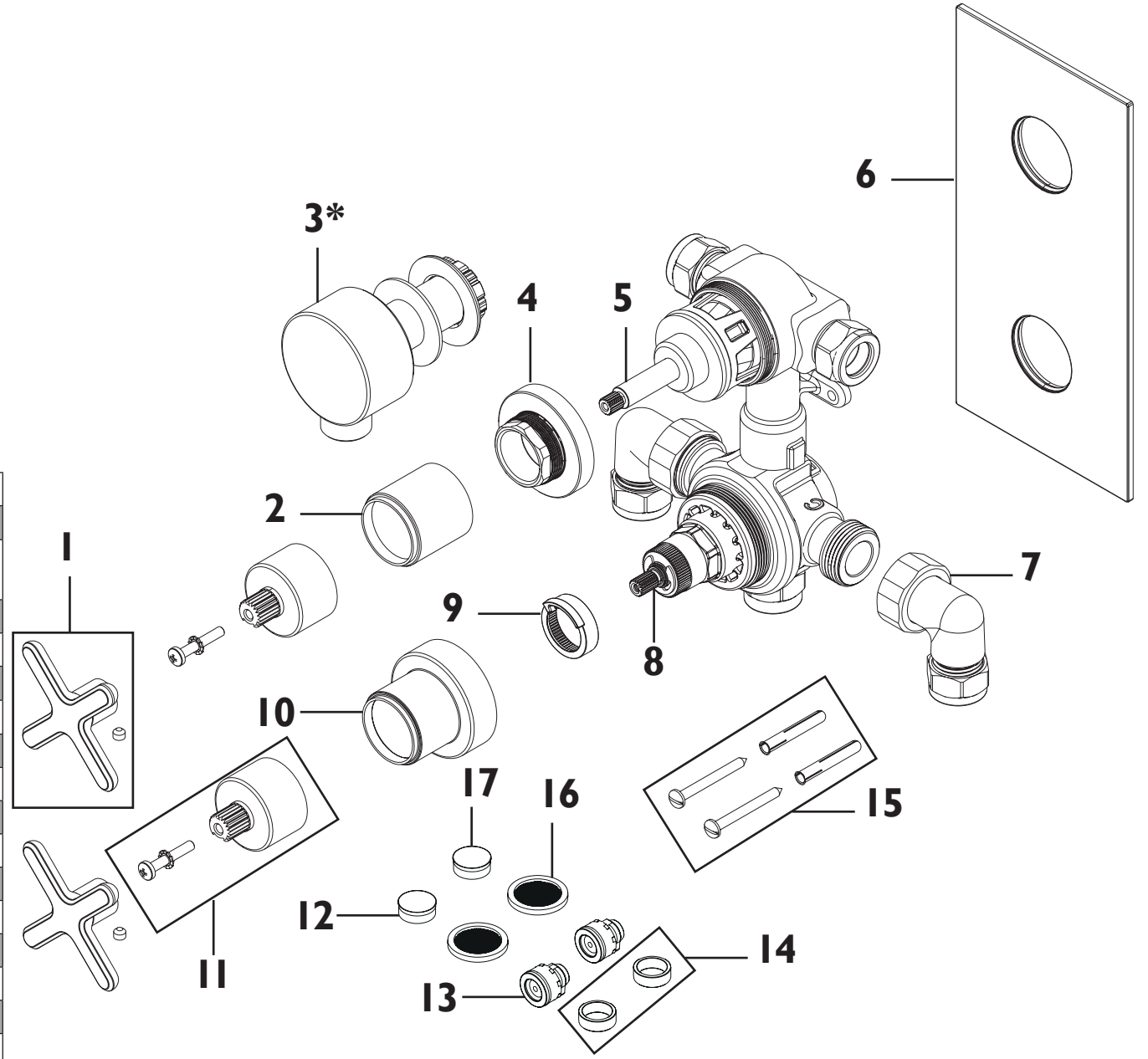


**Product Code: SSA\_02 RANGE**

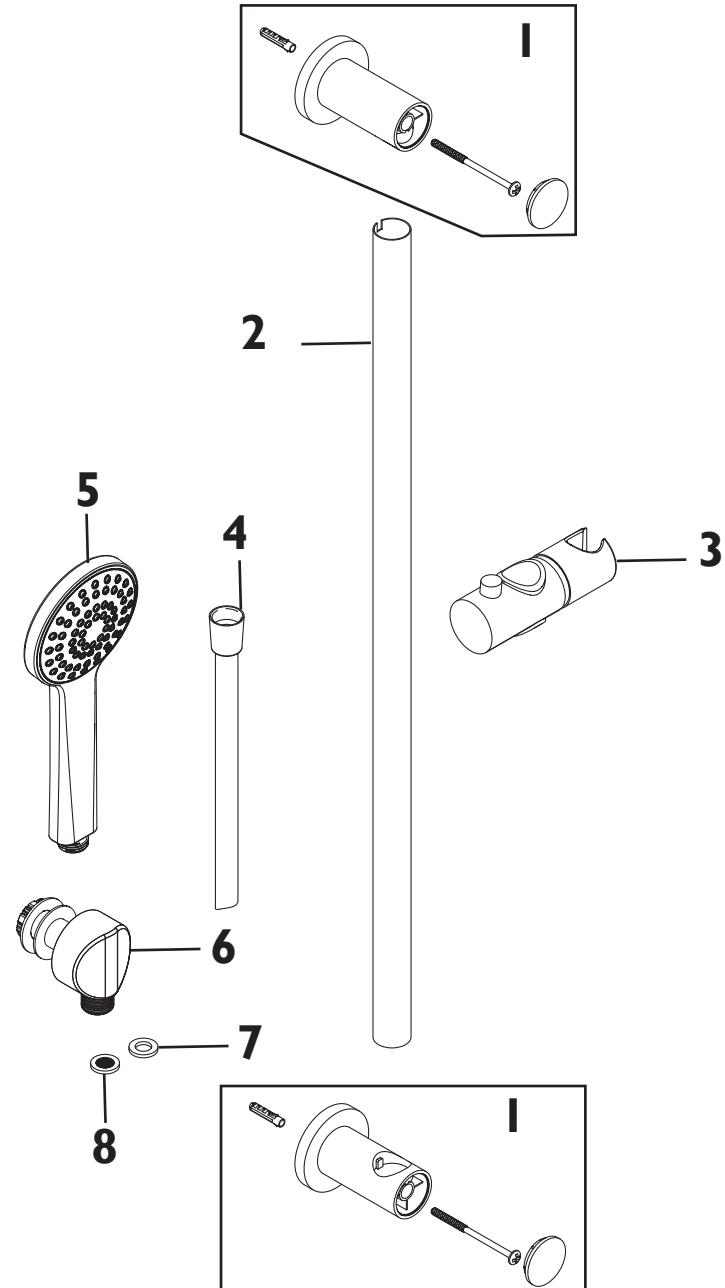
**Revision: DI**



1	Handle Assembly
2	Diverter Shroud
3	Wall Outlet (not included in shower packs)
4	Diverter Retaining Nut
5	Diverter Cartridge
6	Concealing Plate
7	Elbow Assembly
8	Thermostatic Cartridge
9	Temperature Stop
10	Temperature Shroud
11	Handle Adaptor
12	5lpm Flow Limiter
13	Check Valve
14	Inserts (Pair)
15	Screw Pack
16	Filter Washer
17	7lpm Flow Limiter

**Product Code:** ST\_23

**Revision:** DI



1	Wall Bracket Assembly (Pair)
2	650mm Riser Rail
3	Ø25mm Slider
4	1.5m Cone to Nut Hose
5	Multi-Function Handset
6	Wall Outlet
7	Sealing Washer
8	Filter Washer