



Features:

- Single outlet recessed valve option with dual controls for separate flow and temperature adjustability
- Thermostatic temperature control and automatic stop prevent surges of hot or cold water
- Smallest recessed valve on the market which has been designed to fit into a 35mm deep cavity space
- 15mm inlet connection
- Available in a selection of finishes

Product Certifications:



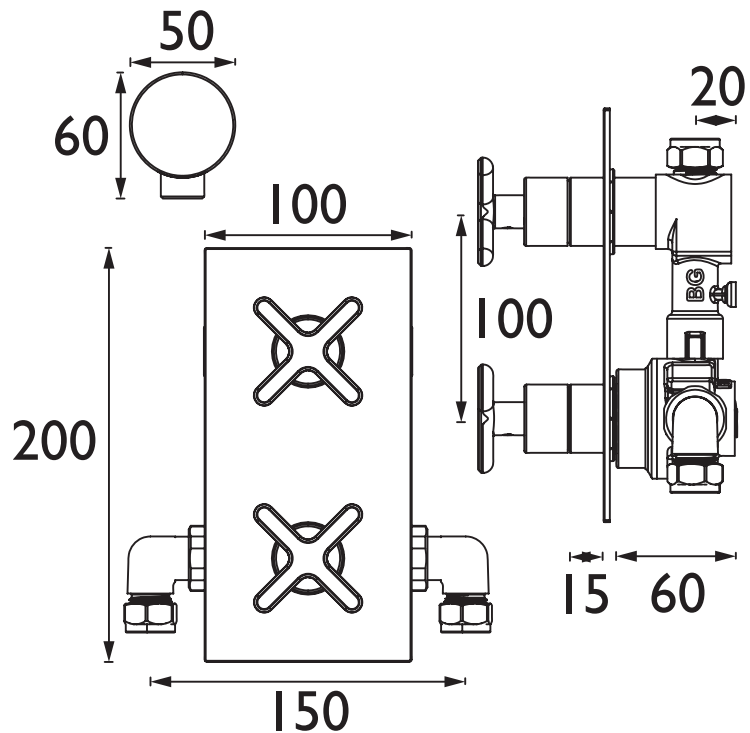
WRAS Certificate No. : 2405900
WRAS Expiry Date: 31/05/2029

Additional Information:

Specification

Finish/Colour:	Chrome
Main Construction Material:	Brass
No of Controls:	2
Shower Type:	Recessed Shower
Shower Head Type:	Valve Only
Shower Kit:	N/A
Valve/Cartridge Type:	3/4" Ceramic Disc Valve - 1/4 turn
Maximum Hot Water Supply Temperature °C:	60
Plumbing System Suitability:	Suitable for all plumbing systems
Minimum Dynamic Pressure (bar):	0.2
Maximum Dynamic Pressure (bar):	5
Maximum Static Pressure (bar):	10
Connection Inlet:	15mm Compression
Connection Outlet:	G1/2"
Isolation Valve Included:	No
Check Valve Included:	Yes

Dimensions (measurements in mm)



Flow Rates (l/min)

System Pressure (bar)	0.2	0.5	1	2	3	5
Valve Only/Largest FR (mixed)	7.5	14.1	21	30.5	37.4	48.3