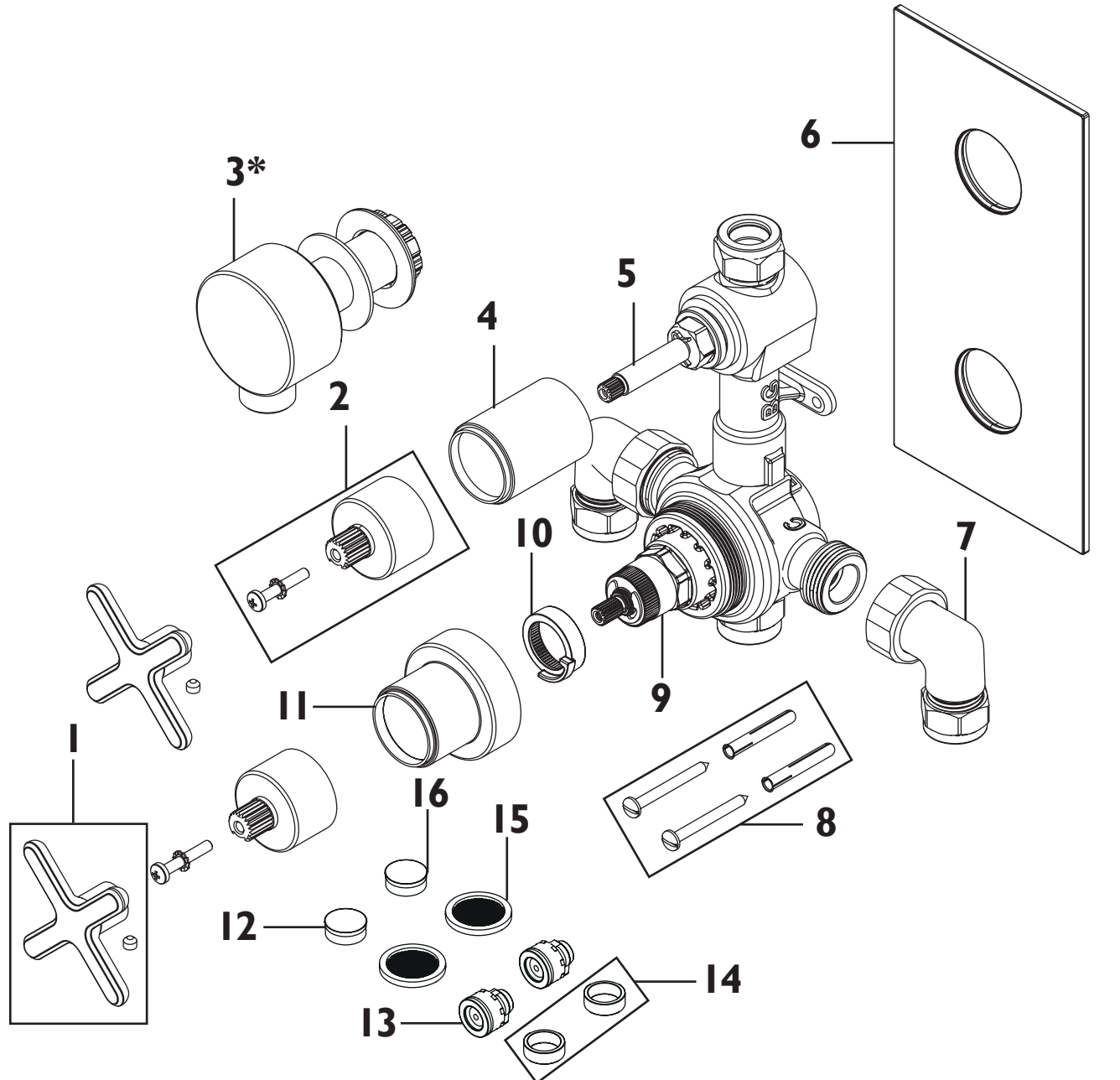


Product Code: SSA_01 RANGE

Revision: DI



| | |
|----|---|
| 1 | Handle Assembly |
| 2 | Handle Adaptor |
| 3* | Wall Outlet (not included in Shower Packs) |
| 4 | Flow Shroud |
| 5 | 3/4" Ceramic Disc Valve |
| 6 | Concealing Plate |
| 7 | Elbow Assembly |
| 8 | Screw Pack |
| 9 | Thermostatic Cartridge |
| 10 | Temperature Stop |
| 11 | Temperature Shroud |
| 12 | 5lpm Flow Limiter |
| 13 | Check Valve |
| 14 | Inserts (Pair) |
| 15 | Filter |
| 16 | 7lpm Flow Limiter |