

# SDCDUAL15

## DAWLISH Shower Range

Dawlish Exposed Thermostatic Dual Control Shower Valve with Premium Fixed Riser Kit and Diverter to Handset Brushed Nickel



### Specification

Finish/Colour:	Brushed Nickel
Main Construction Material:	Brass
No of Controls:	2
Shower Type:	Exposed Concentric
Shower Head Type:	Single
Shower Kit:	Rigid Riser with Diverter
Valve/Cartridge Type:	Concentric Cartridge
Maximum Hot Water Supply Temperature °C:	65
Plumbing System Suitability:	Suitable for all plumbing systems
Minimum Dynamic Pressure (bar):	0.1
Maximum Dynamic Pressure (bar):	5
Maximum Static Pressure (bar):	10
Connection Inlet:	15mm Compression
Connection Outlet:	G 1/2"
Isolation Valve Included:	No
Check Valve Included:	Yes

### Features:

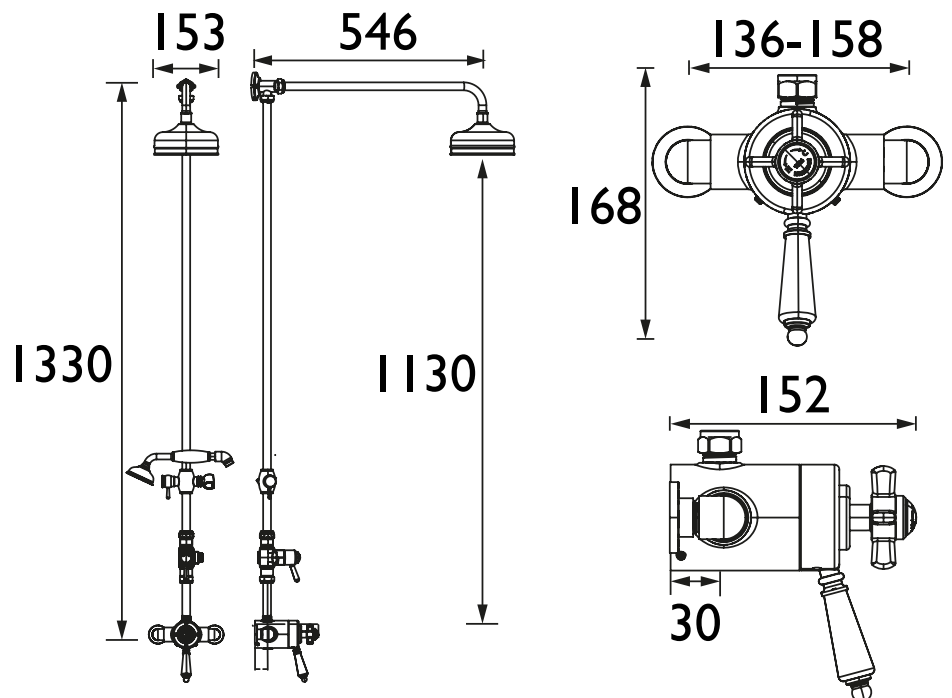
- This shower pack contains a Dawlish exposed maxi valve with an rigid riser fixed head and shower kit with a single-function handset and hose
- Two outlet exposed valve option with diverter and dual controls for separate flow and temperature adjustability
- Thermostatic temperature control and automatic stop prevent surges of hot or cold water
- Adjustable inlet centres, allowing you to use existing pipework with centres measuring anything between 136mm and 158mm
- Available in a selection of finishes

### Product Certifications:



### Additional Information:

### Dimensions (measurements in mm)



### Flow Rates (l/min)

System Pressure (bar)	0.1	0.5	1	2	3	5
Through Handset (mixed)	1.9	3.1	4.4	6.3	7.7	9.9
Through Fixed Head (mixed)	2.3	5.2	6.1	6.6	7.2	8.1

# TECHNICAL DATA SHEET



# HERITAGE<sup>®</sup>

BATHROOMS

DI