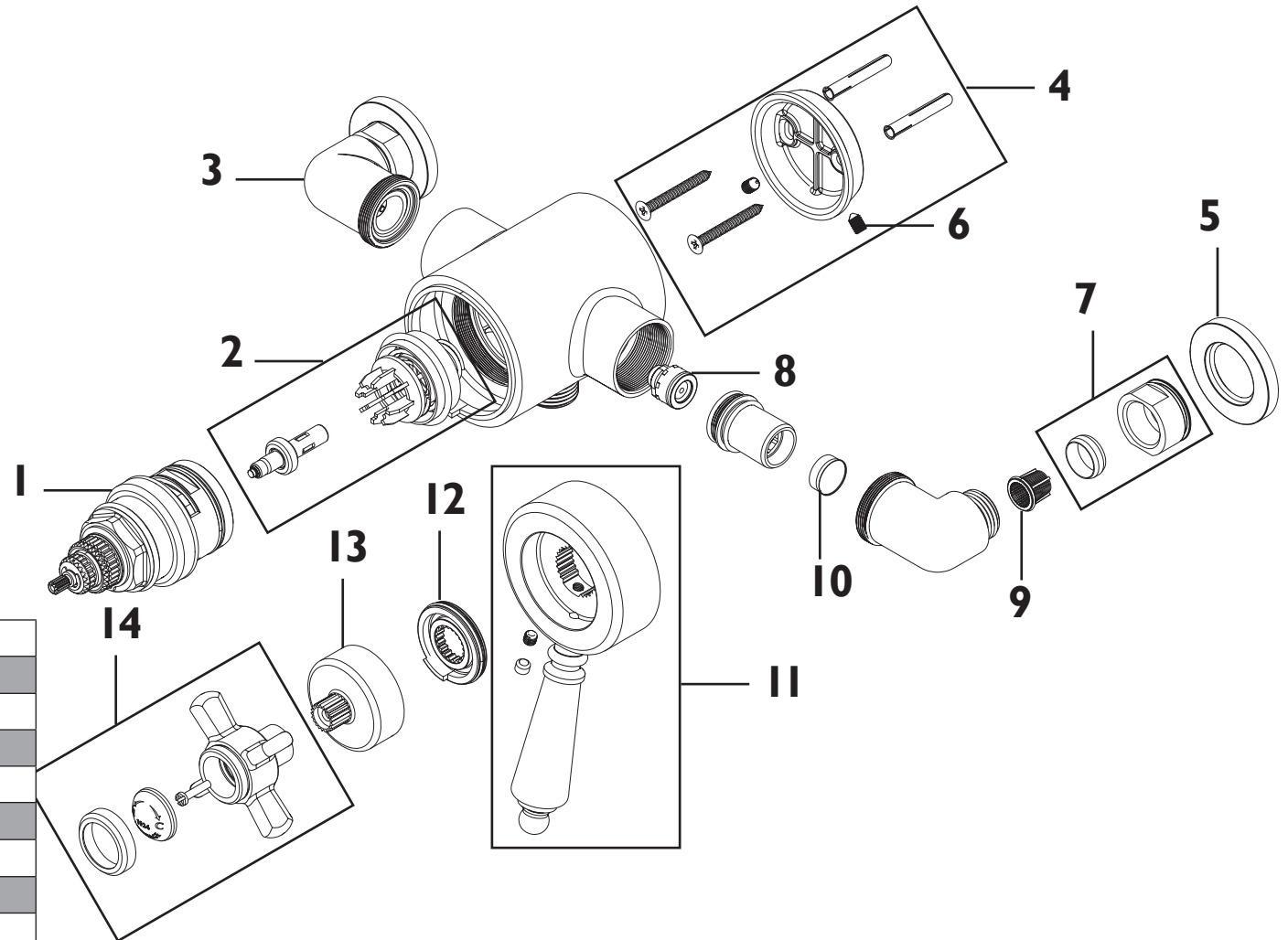


**Product Code:** SDCDUAL09-10-14

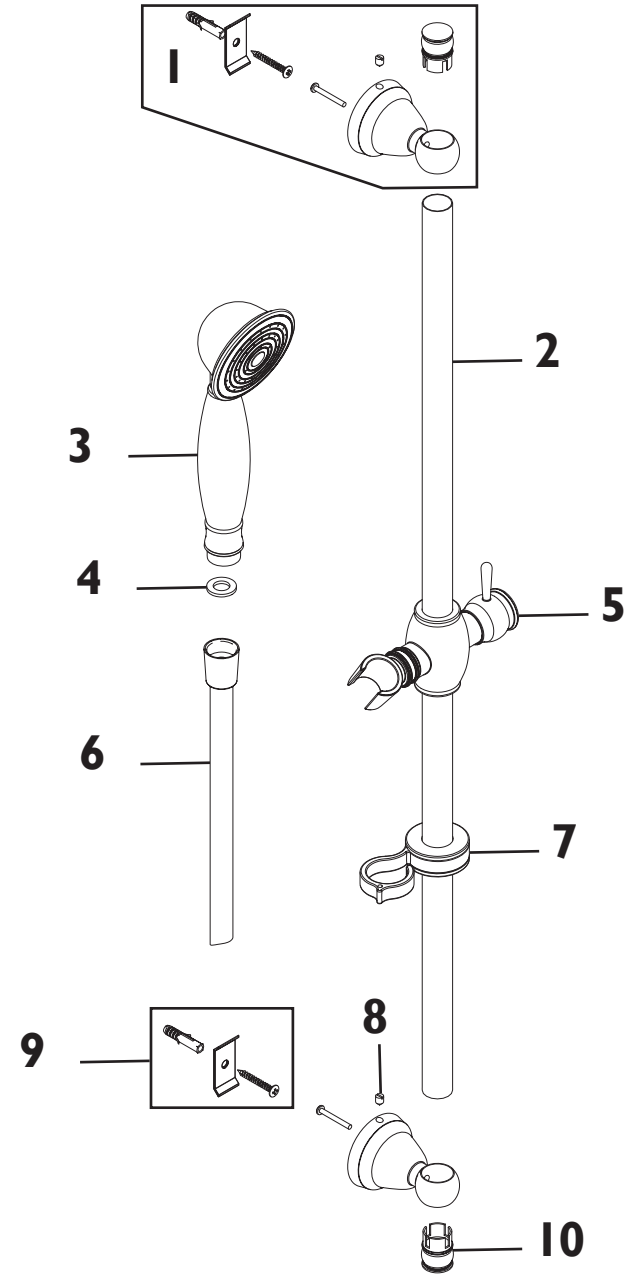
**Revision:** D3



1A	Thermostatic Cartridge
2A	Thermostat & Piston Assembly
3A	Elbow Assembly (Pair)
4A	Backplate and Fixings
5A	Plinth
6A	Grub Screw (Pair)
7A	Nut & Olive
8A	Check Valve
9A	Filter
10A	8lpm Flow Limiter
11A	Flow Handle
12A	Temperature Stop
13A	Handle Adaptor
14A	Temperature Handle

**Product Code:** SDCDUAL09-10-14

**Revision:** D3



1B	Wall Bracket Assembly
2B	680mm Riser Rail
3B	Single Function Handset
4B	Sealing Washer
5B	Slider
6B	1.5m Cone to Nut Hose
7B	Hose Retainer
8B	M5x8 Grub Screw
9B	Fixing Kit
10B	End Cap