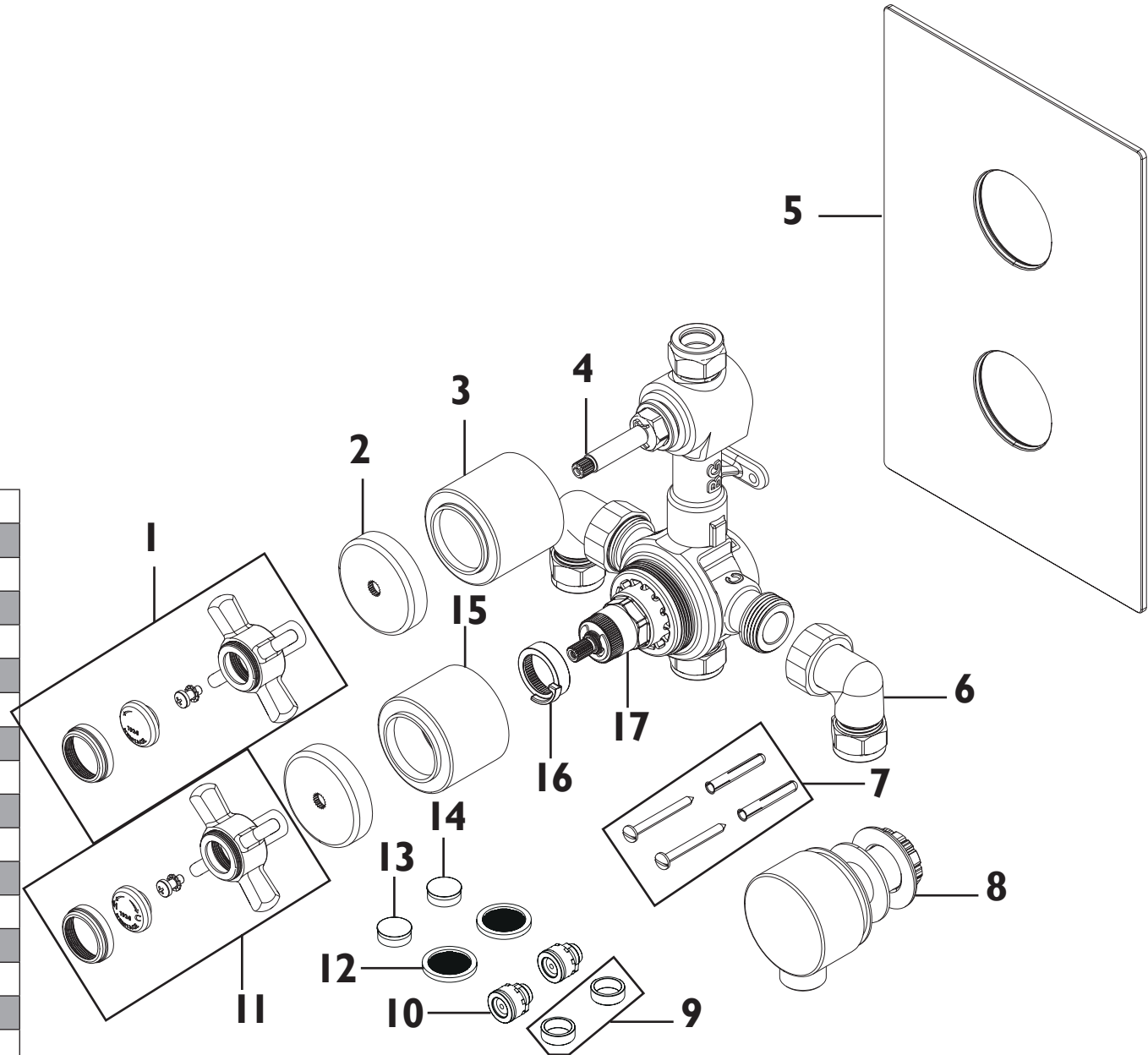


Product Code: SDCDUAL01-04-11

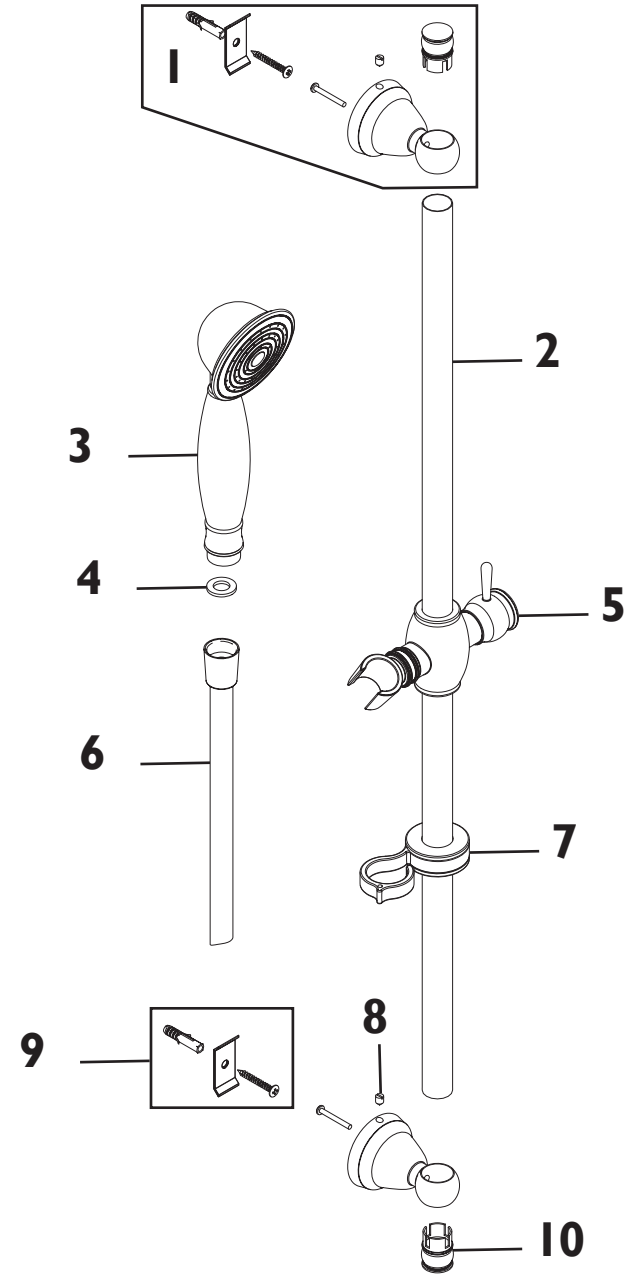
Revision: D4

1A	Flow Handle Assembly
2A	Handle Adaptor
3A	Flow Shroud
4A	3/4" Ceramic Disc Valve
5A	Concealing Plate
6A	Elbow Assembly
7A	Screw Pack
8A	Wall Outlet
9A	Inserts (Pair)
10A	Check Valve
11A	Temperature Handle Assembly
12A	Filter Washer
13A	5lpm Flow Limiter
14A	7lpm Flow Limiter
15A	Temperature Shroud
16A	Temperature Stop
17A	Thermostatic Cartridge



Product Code: SDCDUAL01-04-11

Revision: D4



1B	Wall Bracket Assembly
2B	680mm Riser Rail
3B	Single Function Handset
4B	Sealing Washer
5B	Slider
6B	1.5m Cone to Nut Hose
7B	Hose Retainer
8B	M5x8 Grub Screw
9B	Fixing Kit
10B	End Cap