



Specification

Product Type:	Bathroom Tap
Main Construction Material:	Brass
Mount Type:	Wall Mounted
Handle Type:	Lever
Connection Inlet:	15mm Compression
Connection Outlet:	M18 Aerator 5lpm Flow Limiter
Number of Tap Holes:	2
Valve/Cartridge Type:	35mm Single Lever Cartridge
Plumbing System Requirements:	Suitable for all plumbing systems
Minimum Dynamic Pressure (bar):	0.5 bar
Maximum Dynamic Pressure (bar):	5.0 bar
Maximum Hot Water Temperature °C:	60 °C
Maximum Static Pressure (bar):	10 bar
Flow Type:	Single
Isolation Included:	No

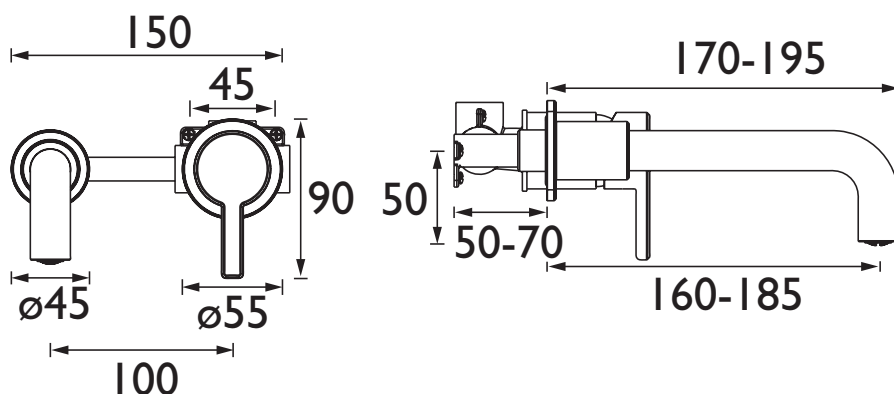
Features:

- Compatible with low pressure water systems, optimised for UK market
- Long life ceramic cartridge - for smooth operation and added durability
- Available in a selection of finishes

Product Certifications:



Dimensions (measurements in mm)



Flow Rates (l/min)

System Pressure (bar)	0.5	1	2	3	5
TDACBL210 (mixed)	5	5	5	5	5