

# HERITAGE

## BATHROOMS

### Installation Guide



Models Covered:

**Dartmouth Basin Taps**

TDACC00 / TDACBB00 / TDACBL00

**Dartmouth Bath Taps**

TDACC01 / TDACBB01 / TDACBL01

Please keep this booklet for future reference.

Installer: When you have read these instructions, please ensure you leave them with the user.

---

# INTRODUCTION

---

Thank you for buying a Heritage Product. When you buy a Heritage product, you can be confident that it not only features a beautiful, distinctive, classic design, but that it has also been made to the very highest quality standards.

To ensure that it works to its full potential, it needs to be fitted correctly.

These fitting instructions have been created to give you all of the information you need and, if you need any further help, please do not hesitate to give us a call on: **0330 026 8503**.

---

## CONTENTS

---

SAFETY NOTES	3
SPECIFICATION	3
PACK CONTENTS	4
INSTALLATION	5
MAINTENANCE	6-7
TROUBLESHOOTING	8
CARING FOR YOUR PRODUCT	9
GUARANTEE	9
NEED HELP?	9
NOTES	10-11



---

# SAFETY NOTES

---

All products manufactured and supplied by Bristan are safe to use provided that they are installed, operated and receive regular maintenance in accordance with these instructions.

This product needs to be installed in accordance with, and meet the requirements of the Water Supply (Water Fittings) Regulations 1999 and current by-laws.

Isolation valves must be fitted to the inlet water supplies to ensure ease of future maintenance. Before installing this product the water supply must be thoroughly flushed in order to remove any swarf, solder etc. Full access must be made available for future maintenance/servicing purposes.

This product must not be modified in any way as this will invalidate the guarantee.

If in doubt, contact a registered plumber, your Local Water Authority or the Secretary of the Institute of Plumbing, address as follows:-

The Institute of Plumbing,  
64 Station Lane,  
Hornchurch,  
Essex,  
RM12 6NB, Tel: 01708 472791

---

# SPECIFICATION

---

OPERATING PRESSURE RANGE (BAR): TDAC\_\_00 - Min 0.5 bar, Max 5.0 bar  
TDAC\_\_01 - Min 0.2 bar, Max 5.0 bar

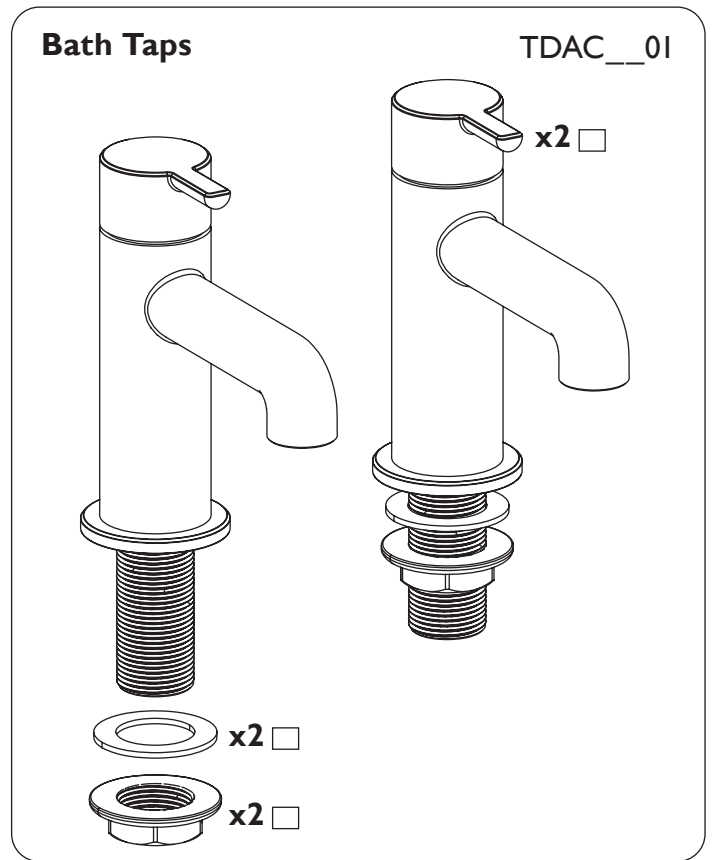
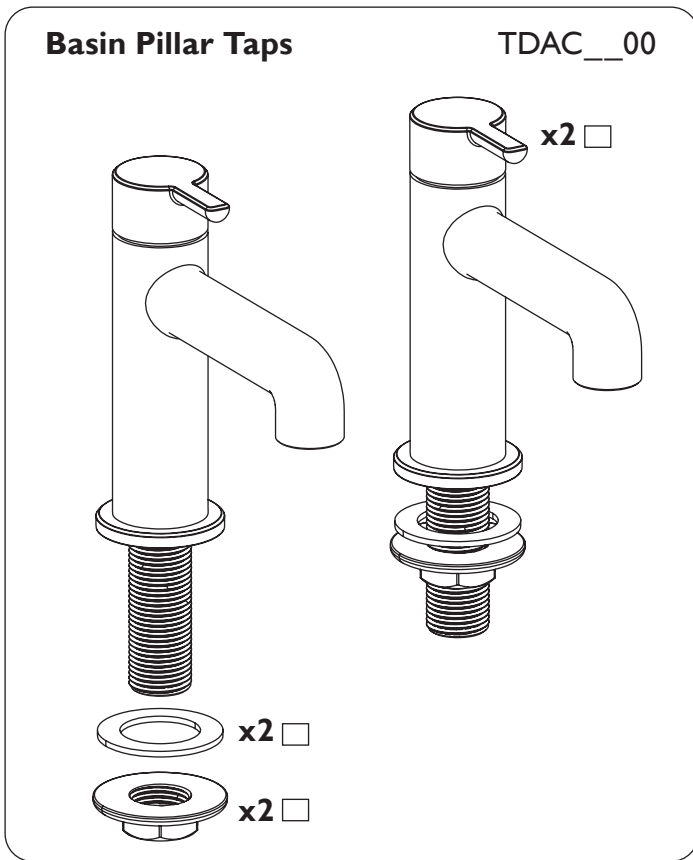
MAXIMUM STATIC PRESSURE (BAR): 10 bar

INLET WATER TEMPERATURE RANGE: Hot - Max 65°C

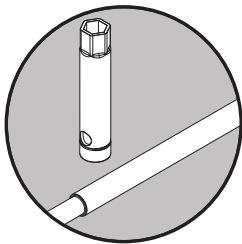
INLET CONNECTIONS: TDACC00 - 1/2" BSP  
TDACC01 - 3/4" BSP



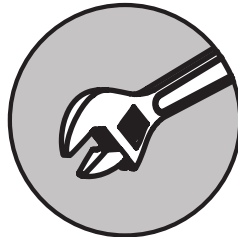
# PACK CONTENTS



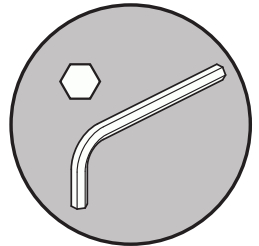
# TOOLS REQUIRED



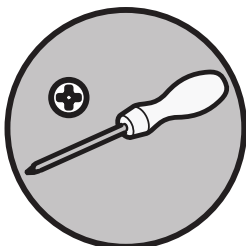
**25/32mm Box Spanner**



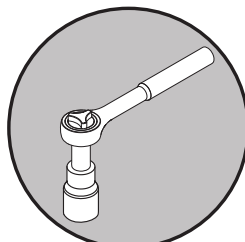
**Adjustable Spanner**



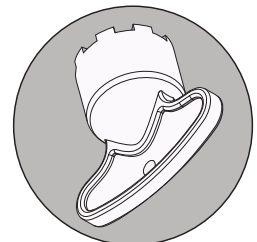
**2.5mm Hexagonal Key**



**Cross Head Screwdriver**



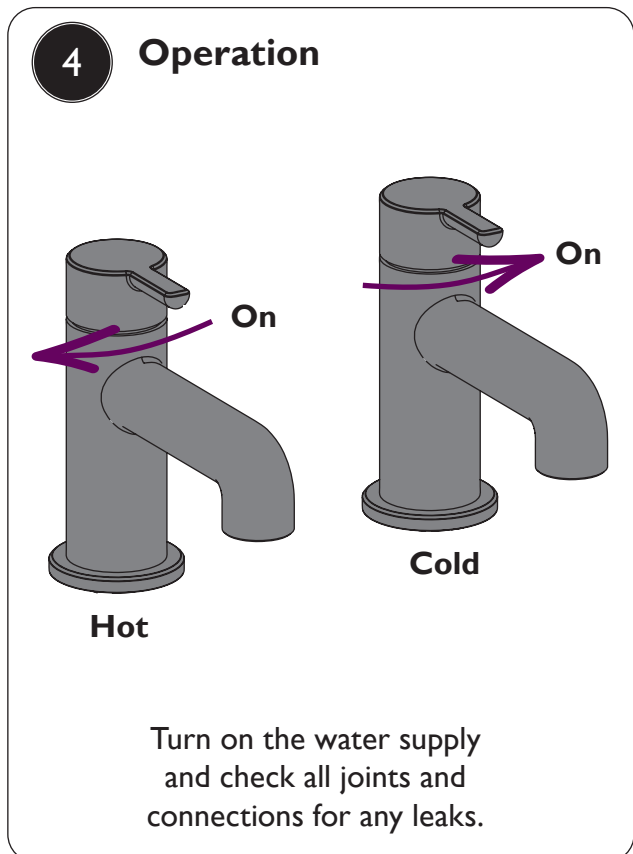
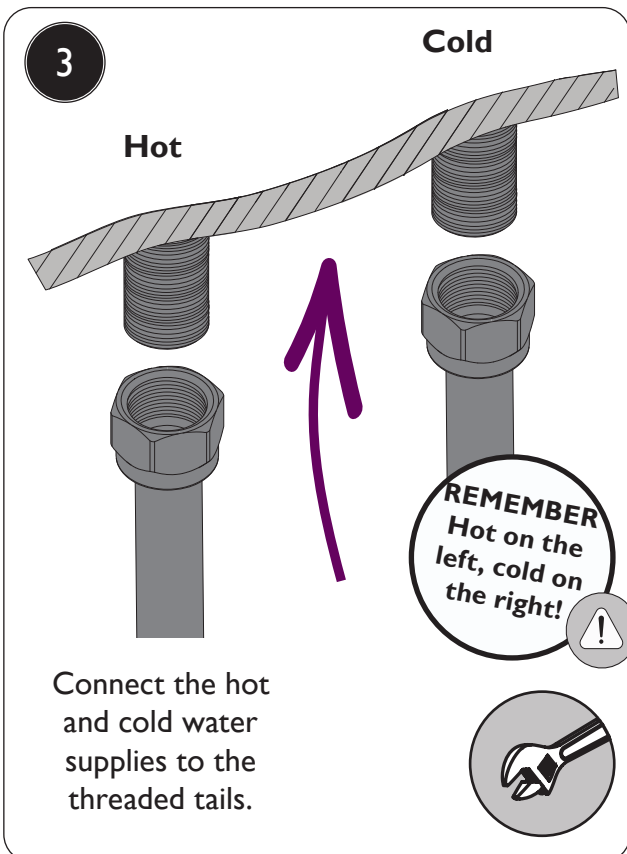
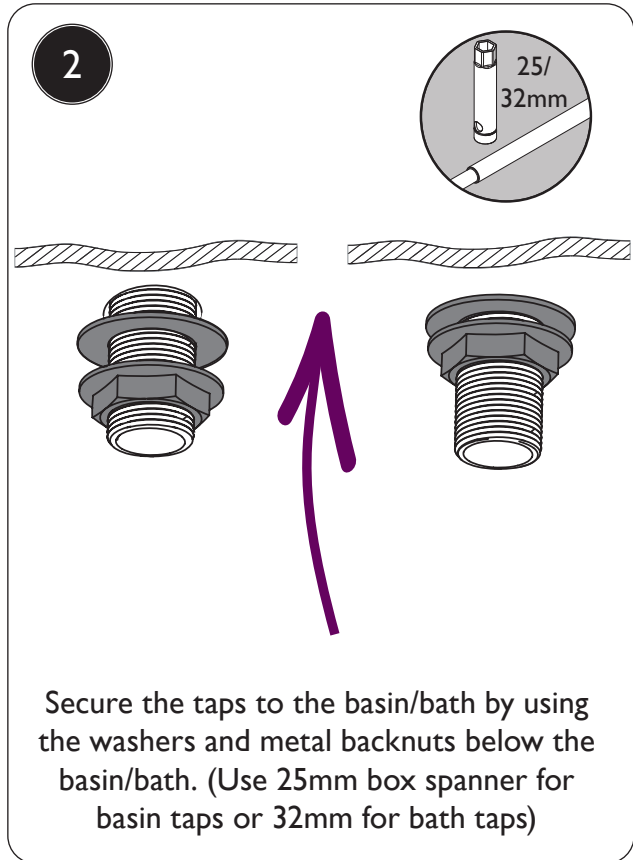
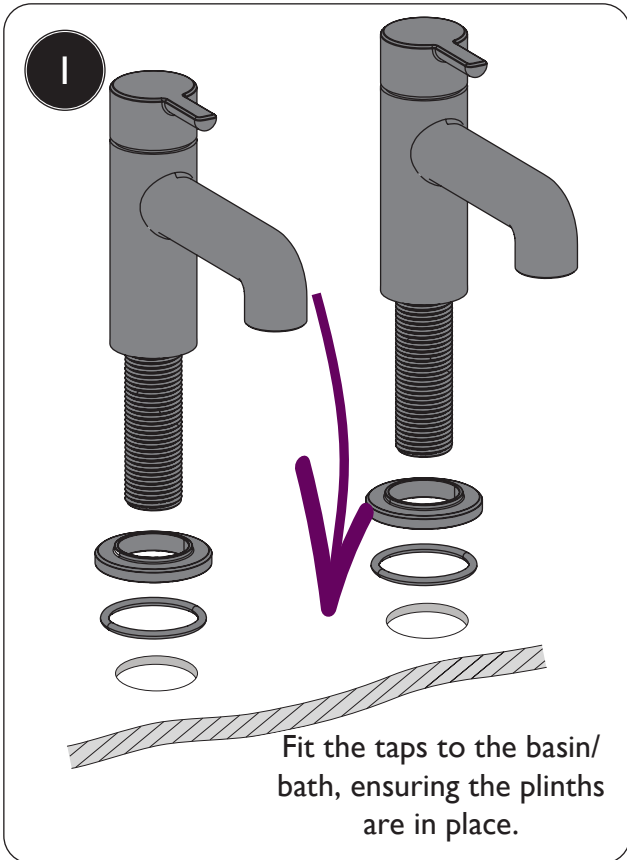
**17mm Socket Spanner**



**16mm Outlet Key  
(TDSA\_\_01 only, not supplied)**



# INSTALLATION

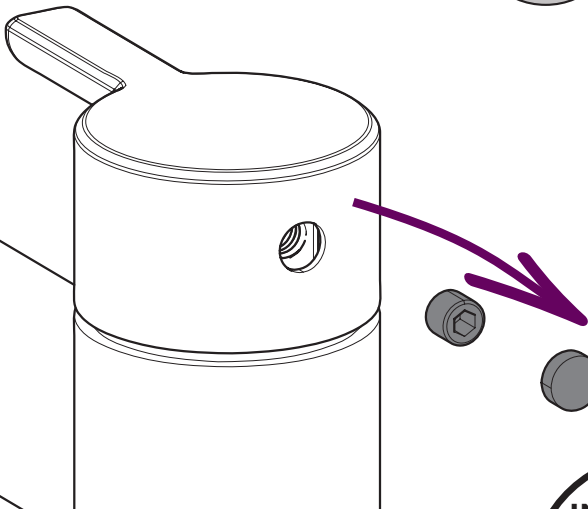
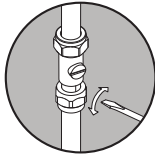


# MAINTENANCE

1

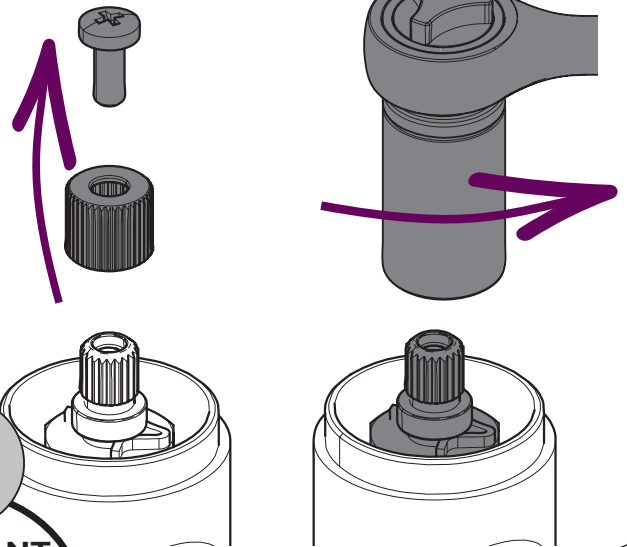
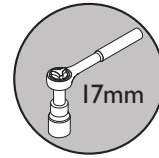
## To Replace Valves

Pull off caps and undo the grub screws to remove the handles.



2

Undo the screws to remove the spline adaptors. Use a 17mm socket spanner to remove the valves.



### IMPORTANT

Isolate the water supply before starting!

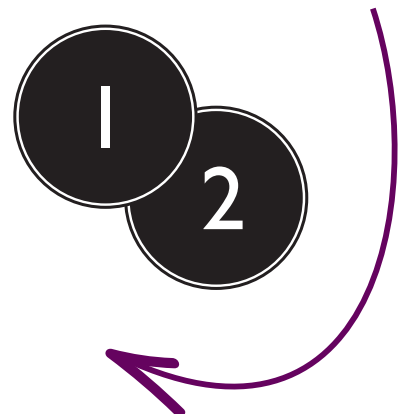
3

## Spare Parts



Please visit [www.heritagebathrooms.com](http://www.heritagebathrooms.com) or scan the QR Code and search for your product code to replace valves if needed.

4

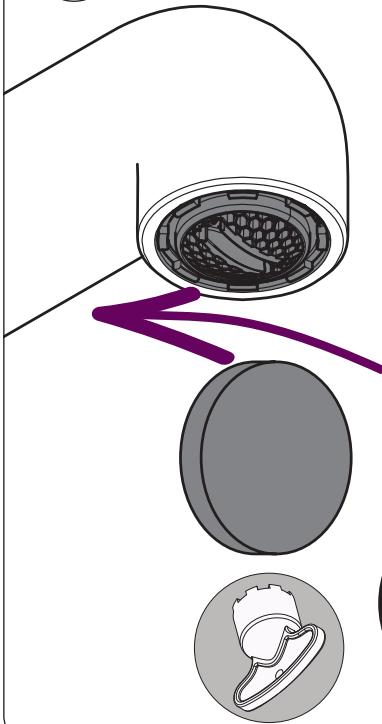


Reverse the steps to replace the valves and handles.



# MAINTENANCE

## 1 Clean/Replace Outlet



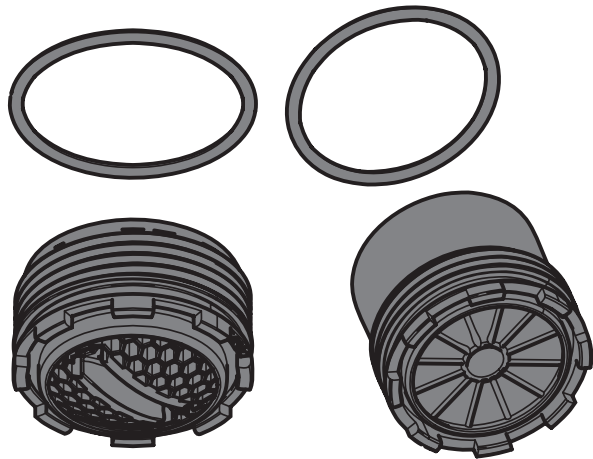
Using a coin or outlet key (not supplied), unscrew the outlets and remove, including the O-Ring.



Visit our website to purchase your outlet key if required.



2

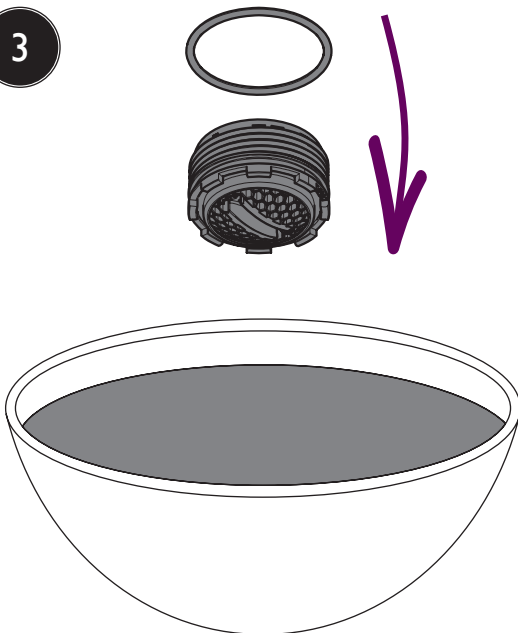


TDAC\_00

TDAC\_01

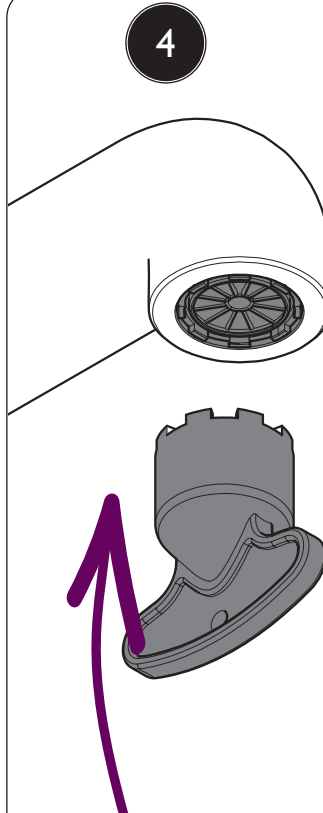
Check the outlets and seals for any damage, replace if necessary.

3



If there is no damage, soak the outlets in a suitable solution until fully de-scaled. Rinse the aerators and seals thoroughly to remove chemicals and debris.

4



Replace the outlets, ensuring the seals are in place. Turn back on the water supply and check the connections for any leaks.



# TROUBLESHOOTING

Symptom	Cause	Remedy
<b>No flow or low flow rate</b>	Partially closed isolation valve.	Open isolation valve.
	Instantaneous water heater cycles on and off as flow rate or pressure is too low.	Increase water flow rate or pressure through system.
	Head of water is below the minimum distance required.	Refer to specification for minimum distance required.
	Hot or cold water being drawn off elsewhere causing pressure changes or instantaneous boiler temperature changes.	Do not use other water outlets when using the taps.
	Airlock or partial blockage in the supply pipework.	Flush through pipework to ensure removal of debris and any airlocks.
<b>Water dripping from taps</b>	This is normal for a short time after using the taps.	This is caused by residual water tension, the build up of water in the tap body.
	If water continues to drip, possibly due to the ceramic disc valves	Remove valves and clean, refer to 'Maintenance' section before starting any maintenance.
<b>Taps do not turn on</b>	Closed isolation valve.	Open isolation valve.
	Mains water supply turned off.	Turn on mains water supply.





---

## CARING FOR YOUR PRODUCT

---

Heritage products are made from premium materials, with hand polished, electroplated, PVD or EPD finishes.

Your product should be regularly cleaned with warm water, a mild pH-neutral liquid soap, and polished with a soft cloth. Any residues from soap, toiletries etc. should be rinsed off straight after use.

Household bleaches and cleaners contain harsh chemicals and may damage the surface finish. Avoid using abrasive cloths, scouring pads, scrub sponges, steel wool or anything similar.

---

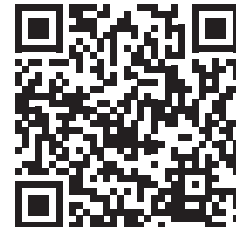
## GUARANTEE

---

The confidence we have in the quality of our products and services enables us to offer a free peace-of-mind product guarantee from 2 years up to a lifetime guarantee against any manufacturing faults, with proof of purchase. In addition, our attentive customer service team are available to help solve any problems which may arise quickly and effectively so you can enjoy your bathroom.

To see the specific guarantee for this product, scan the QR Code or visit the following URL:

<https://www.heritagebathrooms.com/service-centre/guarantee>



---

## NEED HELP?

---

In the unlikely event that you encounter a problem with your Heritage product, you must, in the first instance, contact the retailer you purchased it from. They will advise as to whether it is due to a manufacturing fault or an installation fault. If the problem is due to a manufacturing fault, they will contact us to arrange a supply of a replacement product as soon as possible. To speak to a Heritage customer service advisor, please contact our technical helpline on **0330 026 8503**.



---

# NOTES

---



---

# NOTES

---



# HERITAGE<sup>®</sup>

## BATHROOMS

We love to see how Heritage products are used so please keep in touch and share pictures of your new bathroom with us.



@heritagebathrooms

**If you have any queries, our dedicated customer service teams and products experts are available to help.**

**Email us [enquire@heritagebathrooms.com](mailto:enquire@heritagebathrooms.com) Call us 0330 026 8503 Website [www.heritagebathrooms.com](http://www.heritagebathrooms.com)**

UK: Heritage Bathrooms, Pooley Hall Drive, Birch Coppice Business Park, Dordon, Tamworth B78 1SG

EU: Masco Europe S.à.r.l., 14 Rue Strachen, 6933 Mensdorf, Luxembourg.