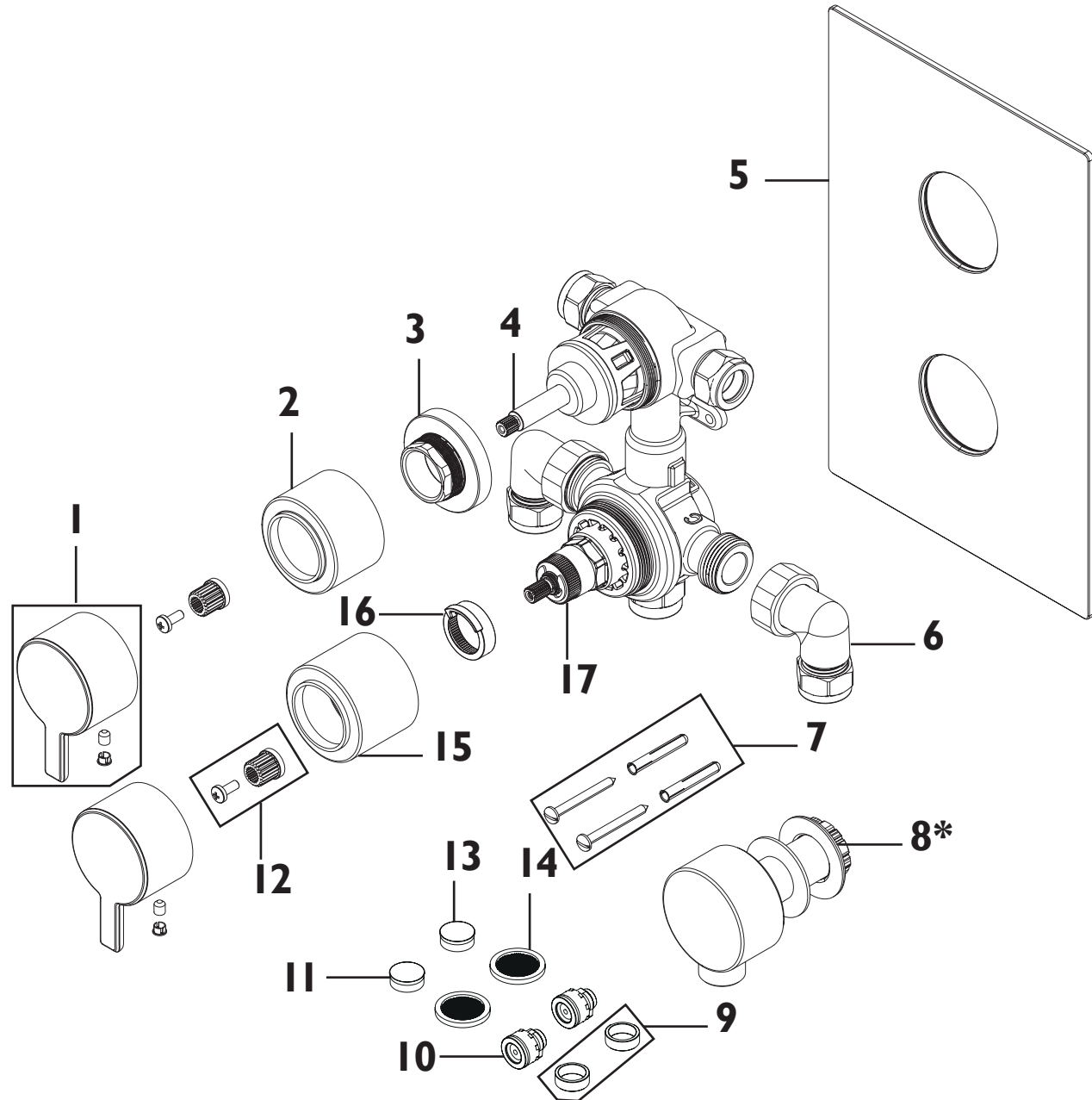


**Product Code: SDA\_01 RANGE**

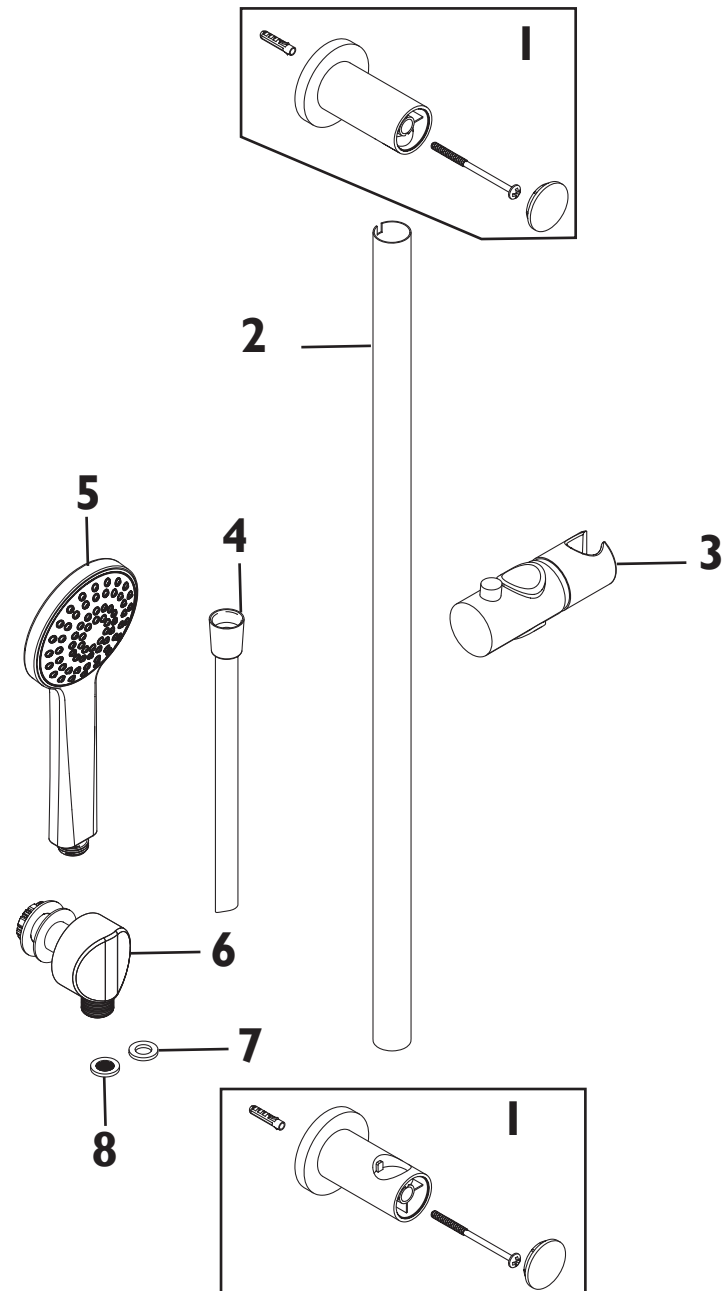
**Revision: D1**

1	Handle Assembly
2	Diverter Shroud
3	Diverter Retaining Nut
4	Diverter Cartridge
5	Concealing Plate
6	Elbow Assembly
7	Screw Pack
8	Wall Outlet (not included in shower packs)
9	Inserts (Pair)
10	Check Valve
11	5lpm Flow Limiter
12	Spline Adaptor
13	7lpm Flow Limiter
14	Filter Washer
15	Temperature Shroud
16	Temperature Stop
17	Thermostatic Cartridge



**Product Code:** ST\_23

**Revision:** DI



1	Wall Bracket Assembly (Pair)
2	650mm Riser Rail
3	Ø25mm Slider
4	1.5m Cone to Nut Hose
5	Multi-Function Handset
6	Wall Outlet
7	Sealing Washer
8	Filter Washer