

HERITAGE

BATHROOMS

INSTALLATION GUIDE



MODELS COVERED:

Wilton Vanity Units

Please keep this booklet for future Reference.

Installer: when you have read these instructions please ensure you leave them with the user.

INTRODUCTION



Thank you for buying a Heritage Product. When you buy a Heritage product, you can be confident that it not only features a beautiful, distinctive, classic design, but that it has also been made to the very highest quality standards. To ensure that it works to its full potential, it needs to be fitted correctly.

These fitting instructions have been created to give you all of the information you need and, if you need any further help, please do not hesitate to give us a call on 0330 026 8503.

CONTENTS



Safety Note	3
Installer Guidelines	3
Tools Required	3
Dimensions	4 - 5
Installation	6 - 7
Fitting Door Hinges	8
Door Adjustment	8
Caring for your product	9
Guarantee	9

SAFETY NOTE



Please read these instructions and retain for future use.

All products manufactured and supplied by Heritage are safe, provided they are installed correctly, used correctly, and receive regular maintenance in accordance with these instructions.

If you are in any doubt about your ability to install this product safely you must employ the services of a competent person who has experience of fitting products of this nature.

⚠ Before starting any installation project please consider the following:

- Prior to drilling into walls, check there are no hidden electrical wires or cables or water supply pipes with the aid of an electrical detector.
 - If you use power tools do not forget:
 - Wear eye protection.
 - Unplug equipment after use.
 - This product must not be modified in any way as this will invalidate the guarantee.
-

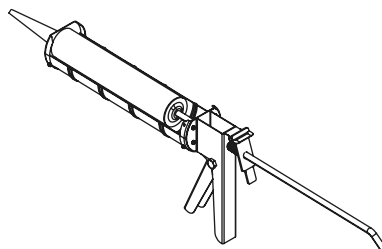
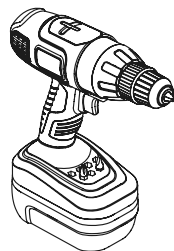
INSTALLER GUIDELINES



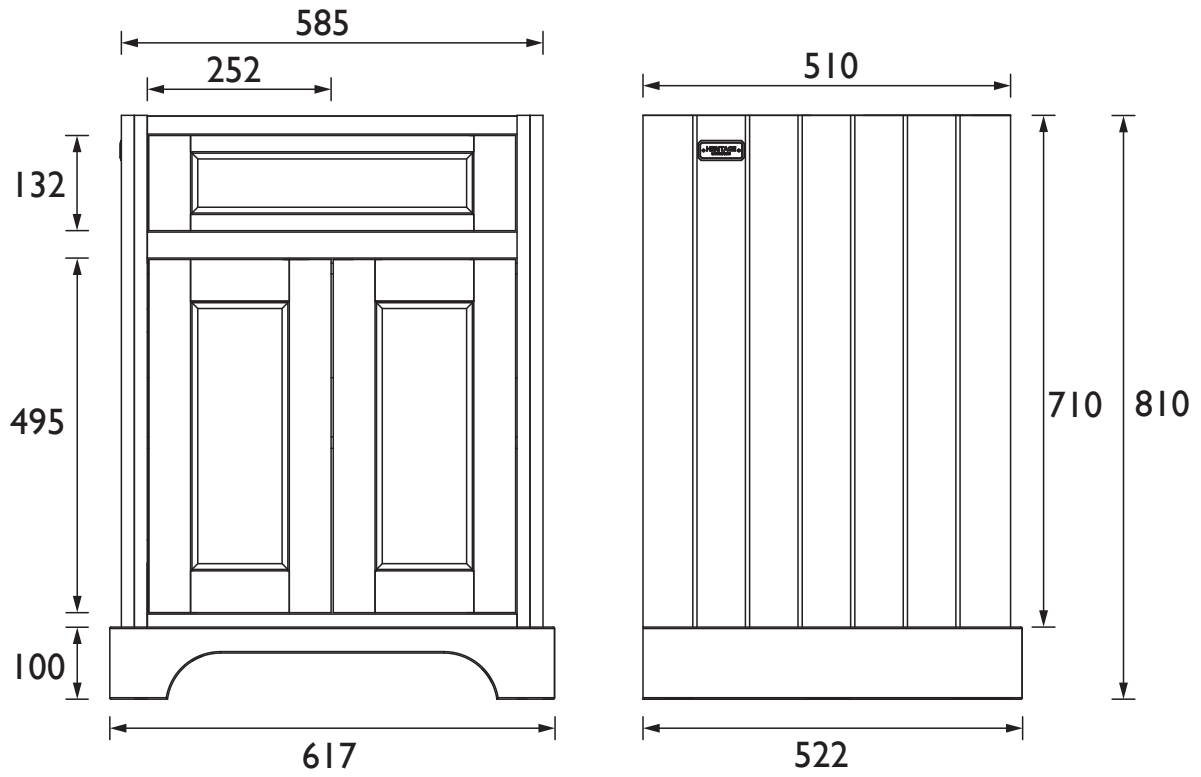
The furniture in this booklet comes assembled. Shelves are fixed and already fitted. Handles are NOT supplied.

The installation of these products greatly depends on the floor and wall being level. If this is not the case, it must be corrected before installation.

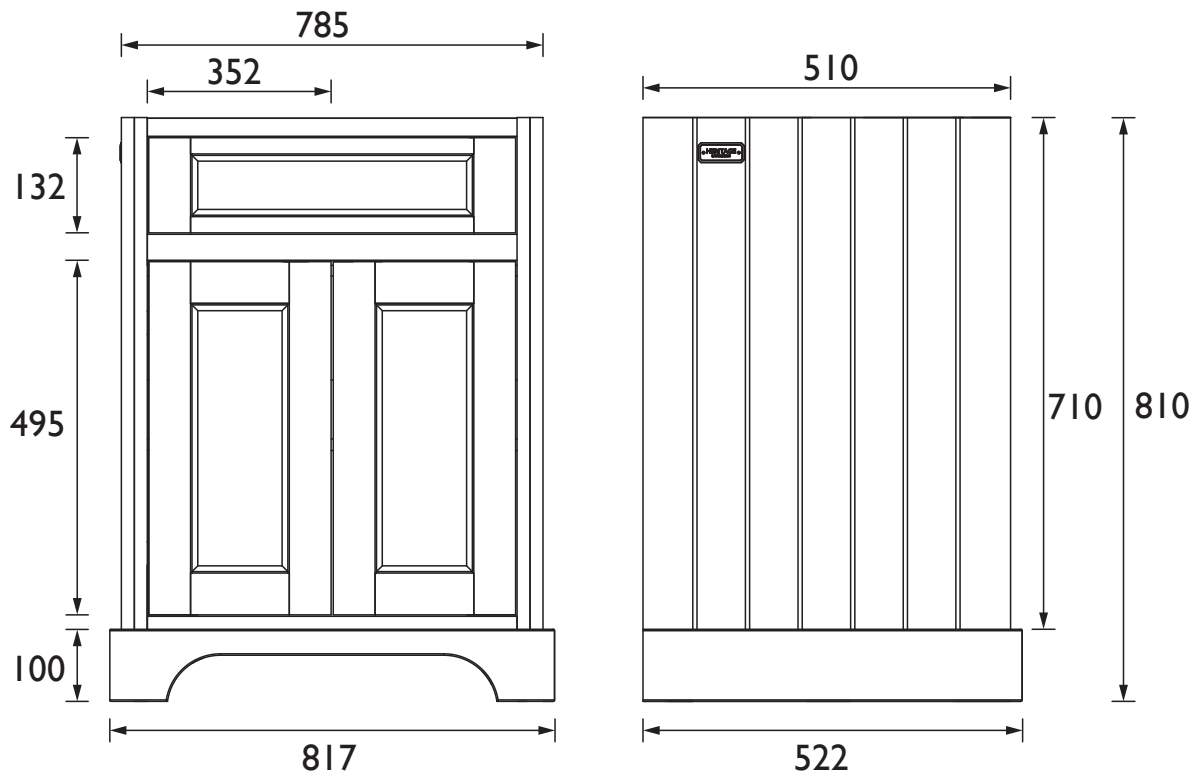
TOOLS REQUIRED



DIMENSIONS

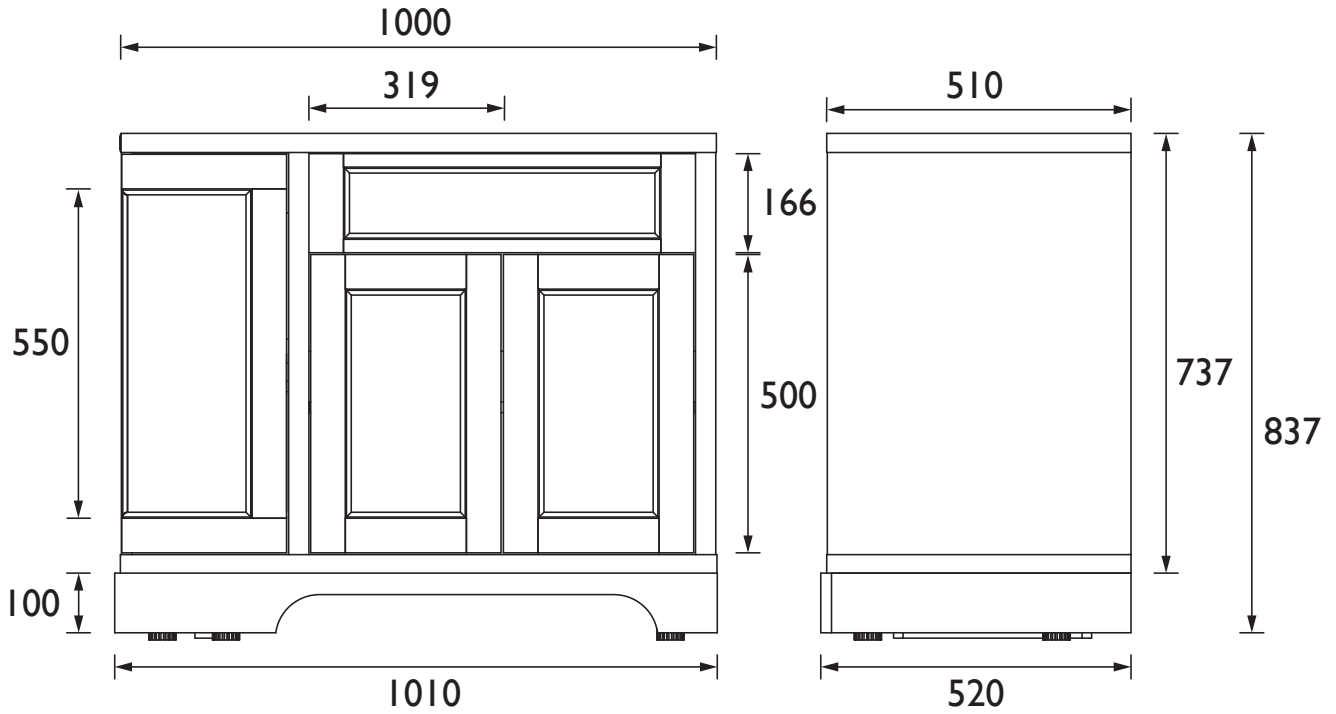


600mm Freestanding Unit



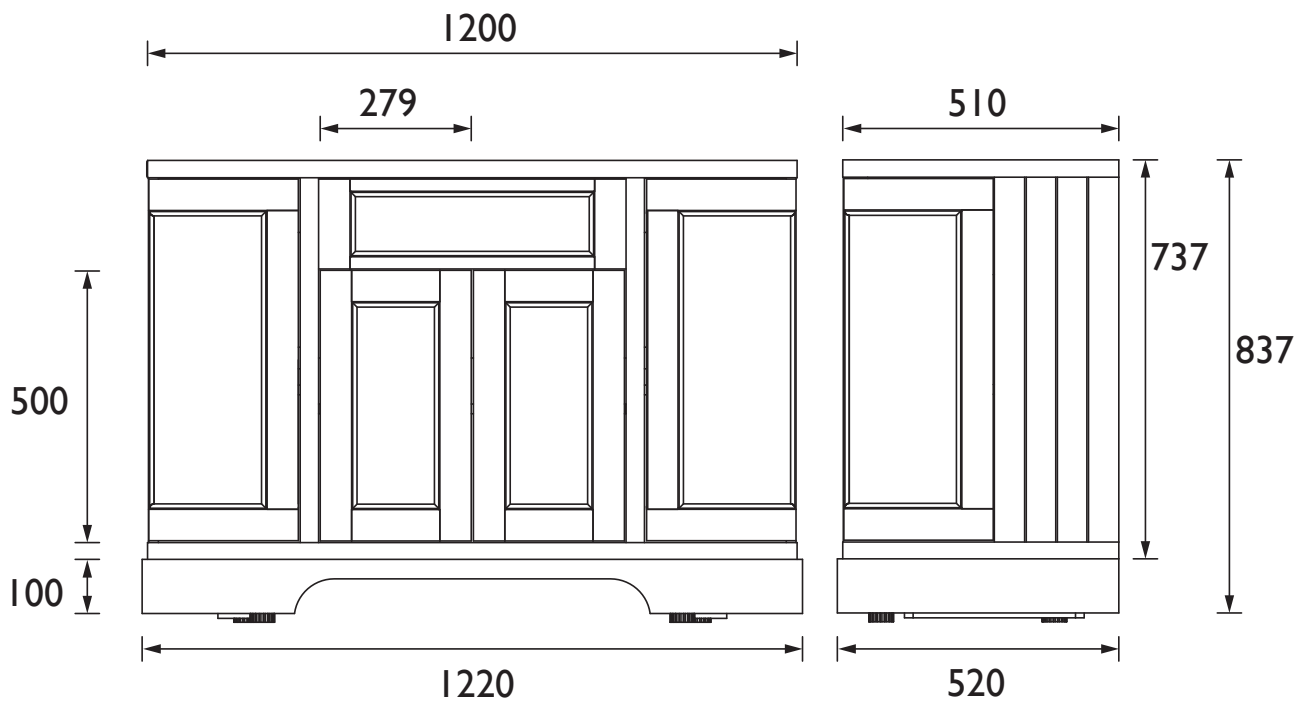
800mm Freestanding Unit

DIMENSIONS



Right Hand Unit Shown

Right Hand Corner Unit
Left Hand Corner Unit

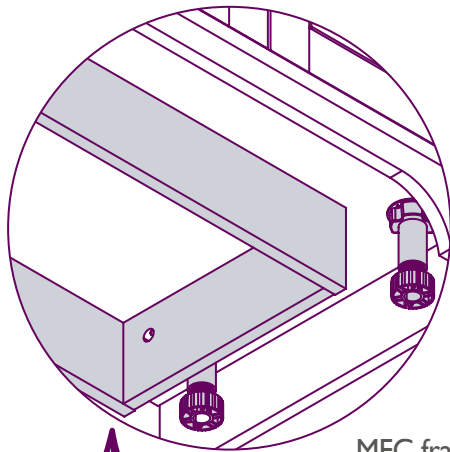


1200mm Curved Unit

INSTALLATION OF VANITY UNITS

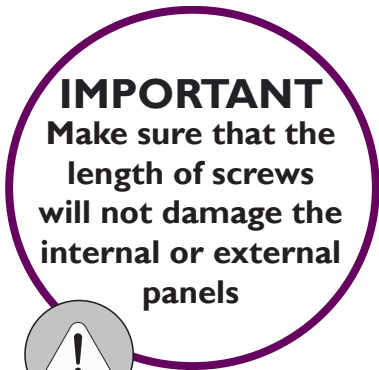


The unit shown in these instructions are for illustration purposes only. All products in this range can be fitted using the guide below.



To level the unit, adjust the feet underneath.
(Curved Units Only)

MFC frame is for transport only - remove before fitting the unit



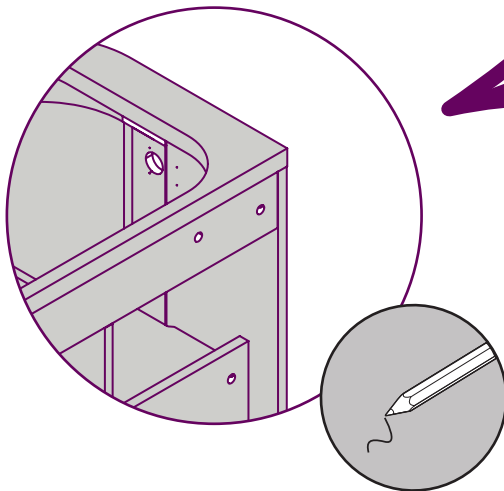
IMPORTANT
Make sure that the length of screws will not damage the internal or external panels

Position the cabinet in your required location checking the level with a spirit level.



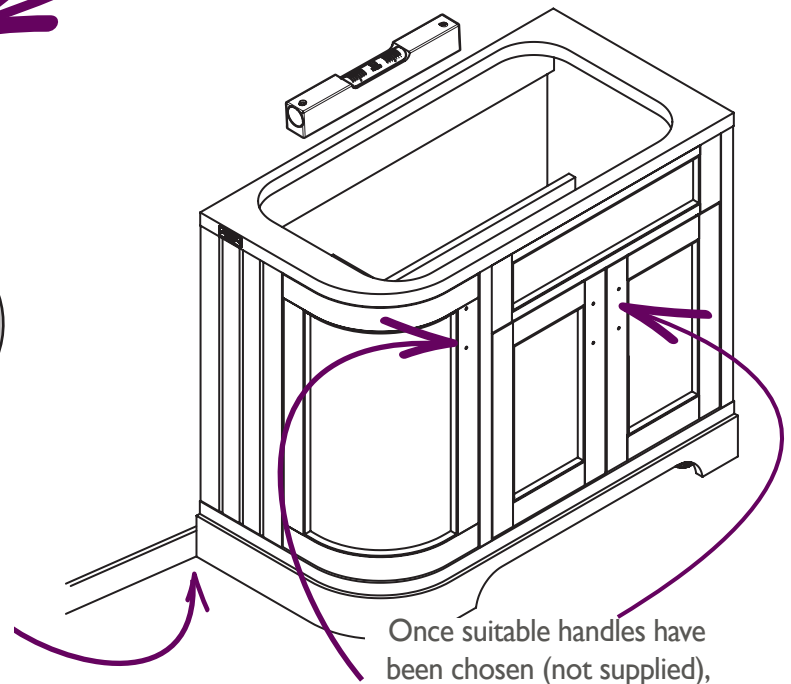
DO NOT DRAG as this may cause the feet to break.

Fix to the wall (fixings not supplied) using the fixing holes on the back of the unit.

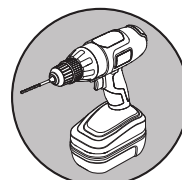


Style Tip

If required to aid installation remove required skirting boards before fixing.




Once suitable handles have been chosen (not supplied), holes will need to be drilled to fit them.

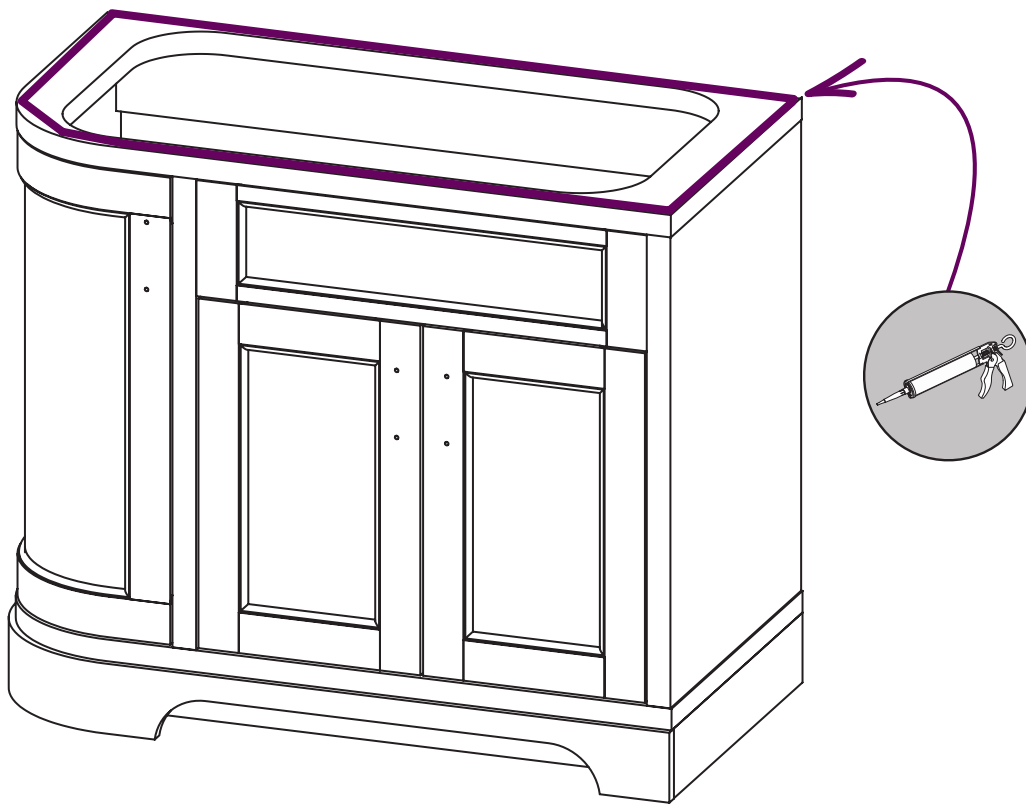


INSTALLATION OF VANITY UNITS

SECURING THE WORKTOP

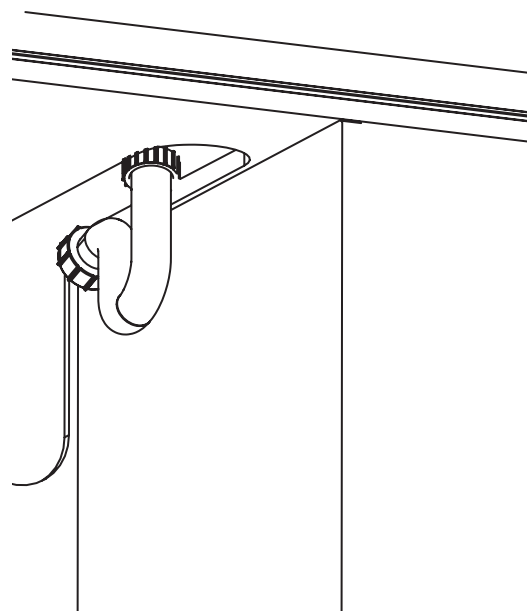
Once your Heritage Wilton Worktop and Undercounter Basin are ready to install, apply silicone sealant along the vanity unit before placing the worktop, secure and wipe off any excess.

 Follow the instructions that are supplied with your worktop and basin for installation information

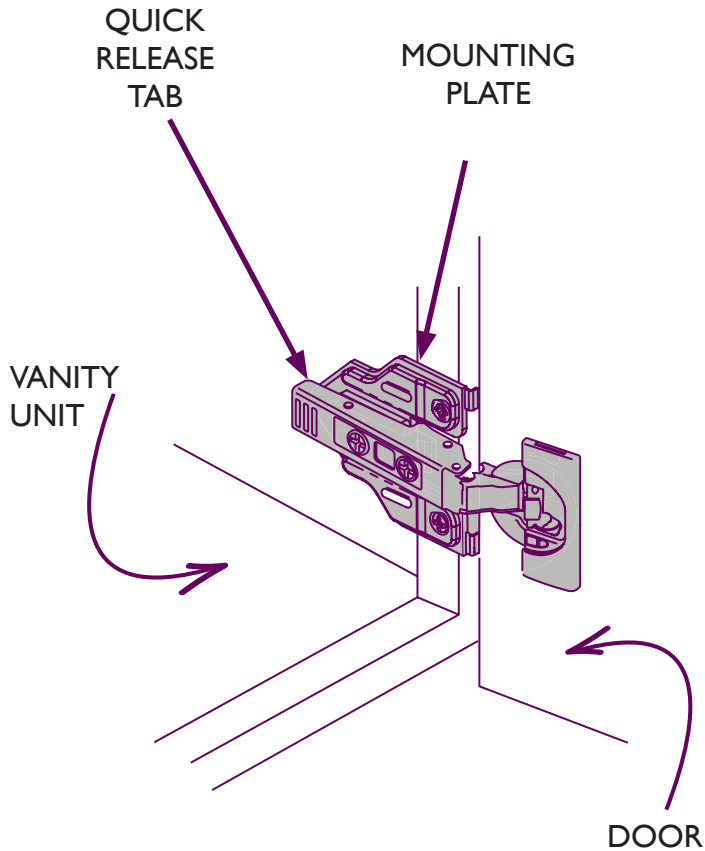


GOOD TO KNOW

Access to waste connections via the main doors of the vanity unit.



DOOR ADJUSTMENT



DOOR/ HINGE FIXINGS

Clip the hinge into the front of the mounting plate on inside of unit first before pushing the back of the hinge against the plate it clips into position.

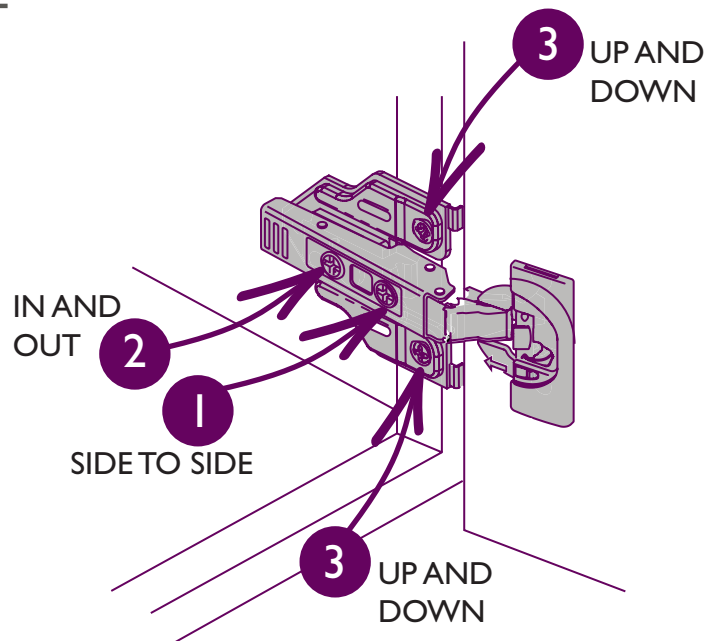
Adjust the door as required- see Hinge Adjustment diagram.

HINGE ADJUSTMENT

To adjust the doors side to side tighten/loosen screw 1

To adjust the door forwards and backwards tighten/loosen screw 2

To adjust the door up and down adjust screws 3 on the mounting plate.



CARING FOR YOUR PRODUCT



Your furniture unit has a high quality finish and should be treated with care to preserve the visible surface.

A few tips for preventing defects from forming:

Occasionally wipe the surface with a soft damp cloth and dry with a soft dry cloth. Wipe away any spillages and excess moisture immediately.

Do not use any abrasive cleaning agents or materials, these will change the surface condition from the standard finish.

GUARANTEE



The confidence we have in the quality of our products and services enables us to offer a free peace-of-mind product guarantee from 2 years up to a lifetime guarantee against any manufacturing faults, with proof of purchase. In addition, our attentive customer service team are available to help solve any problems which may arise quickly and effectively so you can enjoy your bathroom.



To see the specific guarantee for this product, visit the following URL or QR Code.

<http://www.heritagebathrooms.com/service-centre/guarantee>

HERITAGE[®]

BATHROOMS

We love to see how Heritage products are used so please keep in touch and share pictures of your new bathroom with us.



@heritagebathrooms

If you have any queries, our dedicated customer service teams and products experts are available to help.

Email us enquire@heritagebathrooms.com Call us 0330 026 8503 Website www.heritagebathrooms.com

Heritage Bathrooms Pooley Hall Drive, Birch Coppice Business Park, Dordon, Tamworth B78 1SG