

HERITAGE

BATHROOMS

INSTALLATION GUIDE



MODELS COVERED:

Compact Laminate Worktops

Please keep this booklet for future Reference.

Installer: when you have read these instructions please ensure you leave them with the user.

INTRODUCTION

Thank you for buying a Heritage Product. When you buy a Heritage product, you can be confident that it not only features a beautiful, distinctive, classic design, but that it has also been made to the very highest quality standards.

To ensure that it works to its full potential, it needs to be fitted correctly.

These fitting instructions have been created to give you all of the information you need and, if you need any further help, please do not hesitate to give us a call on: 0330 026 8503.

CONTENTS

SAFETY NOTES	3
INSTALLER GUIDELINES	3
TOOLS REQUIRED	3
INSTALLATION WITH UNDERCOUNTER BASINS	4-5
INSTALLATION WITH VESSEL BASINS	6-7
NOTES	9-11



SAFETY NOTES

Please read these instructions and retain for future use.

All products manufactured and supplied by Heritage are safe, provided they are installed correctly, used correctly, and receive regular maintenance in accordance with these instructions.

If you are in any doubt about your ability to install this product safely you must employ the services of a competent person who has experience of fitting products of this nature.



Before starting any installation project please consider the following:

- Prior to drilling into walls, check there are no hidden electrical wires or cables or water supply pipes with the aid of an electrical detector.
- If you use power tools do not forget:
 - Wear eye protection.
 - Unplug equipment after use.

This product must not be modified in any way as this will invalidate the guarantee.

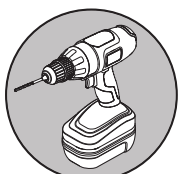
INSTALLER GUIDELINES

Please note, basin, taps and wastes are supplied separately. Please follow the instructions supplied with those products for information on how to prepare for installation.

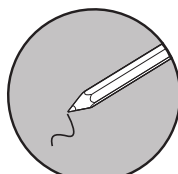
Basin holes for Granley, Dorchester and Wilton worktops are pre-cut.
Tap holes to be cut by the installer if required.

Place your worktop on a soft, flat surface to prevent scratches and damage.

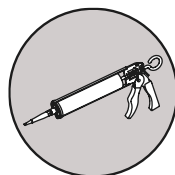
TOOLS REQUIRED



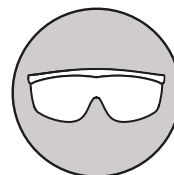
Drill



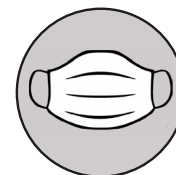
Pencil



Silicone
Sealant



Safety
Goggles




Ventilation
Mask



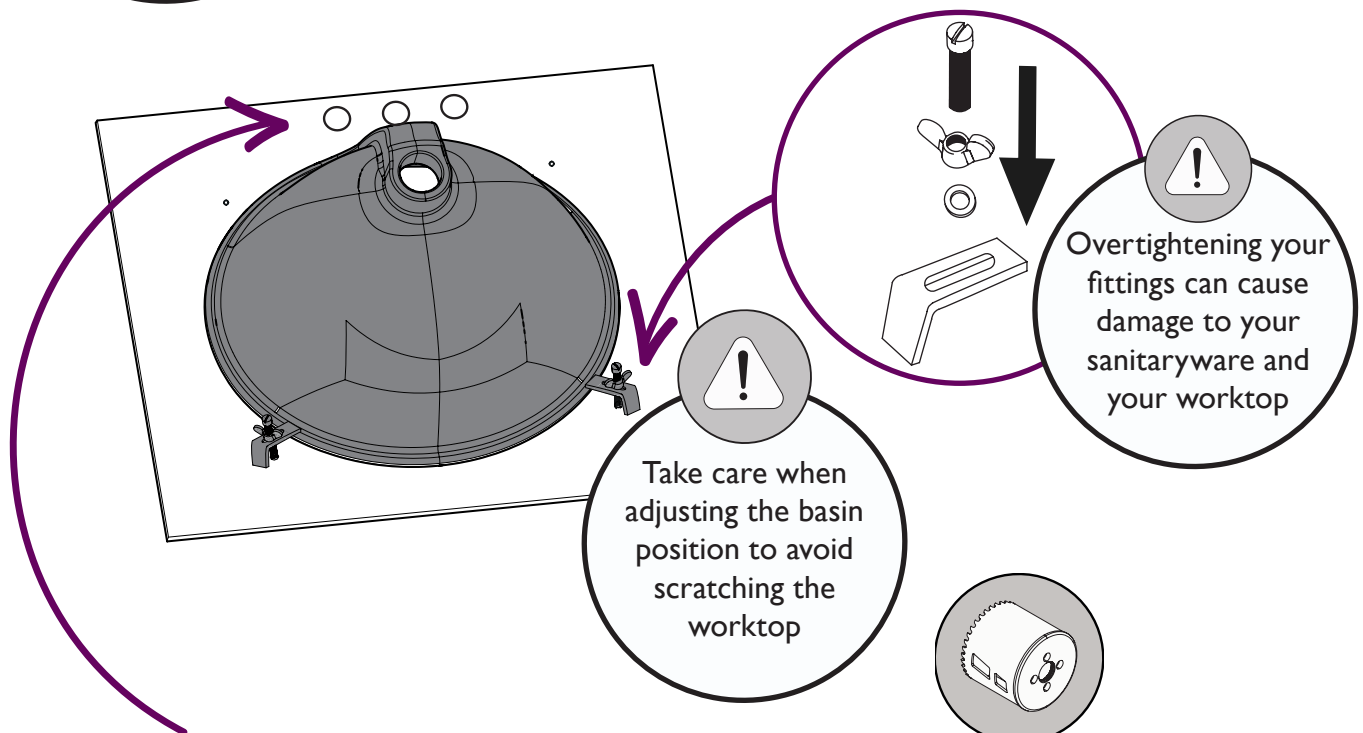
INSTALLATION WITH UNDERCOUNTER BASINS

The worktop shown in these instructions are for illustration purposes only. All products in this range can be fitted using the guide below.




Place your worktop on a soft surface to prevent scratches and damage.

Position the basin onto the chosen worktop. Align basin in place so that there is an even overhang on all edges (view from the top). The basin overflow should be at the back of the basin/worktop. Loosely tighten the four threaded screws and wingnuts into the pre-drilled holes in the worktop by hand.



Mark your tap holes leaving space for your taps to be connected without obstructing the basin. A mixer tap (one hole) requires a 35mm hole. Basin taps (2 holes) require 30mm holes and 3H basin taps (3 holes) require the centre hole to be 35mm, and the two outside holes to be 30mm.

Holes must be positioned so that there is sufficient space to allow the back nut (or other fixing type) on your taps to be installed. Check that there is sufficient spout reach over the basin and space to operate the handle(s) once fitted.



Any cut outs must be sealed to prevent water ingress!

Remove basin and cut out tap holes from the top of the worktop. We recommend using a diamond tipped hole saw drill. Remove protective film and fit basin to worktop (refer to basin instructions).

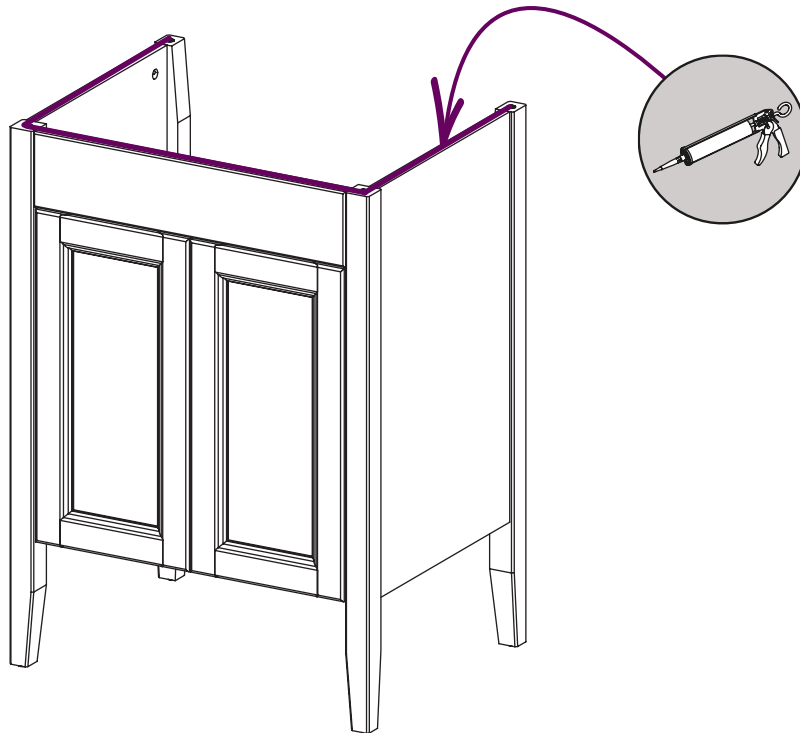
GOOD TO KNOW

Use masking tape to mark any cut holes required. Ink will permanently damage the worktop surface.

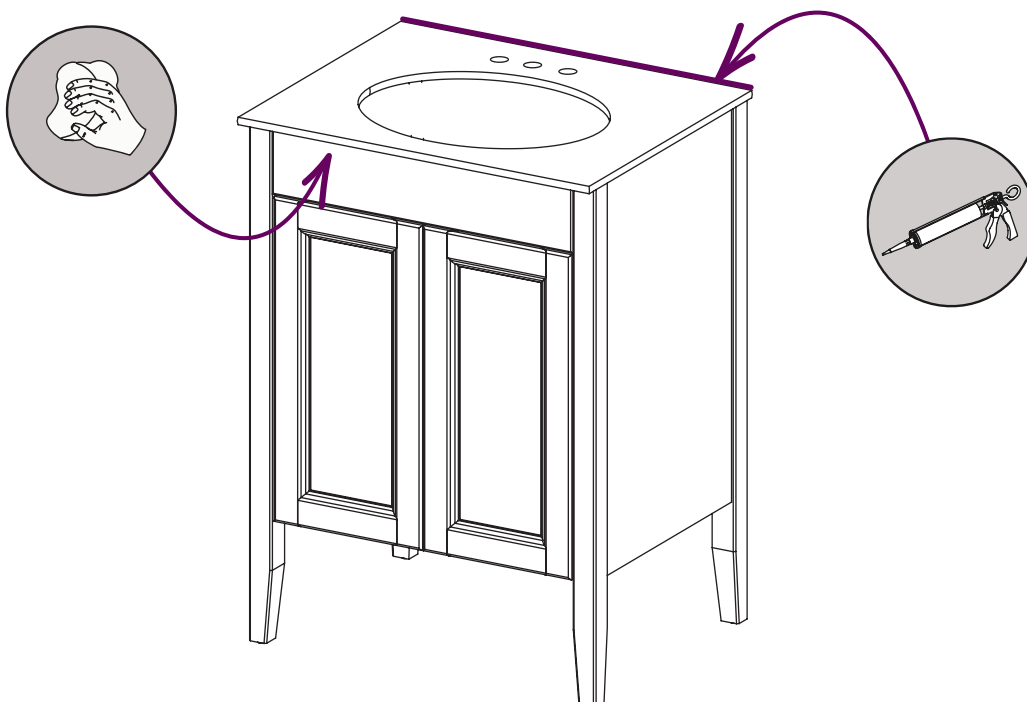
INSTALLATION WITH UNDERCOUNTER BASINS

SECURING THE WORKTOP

Once your Heritage Worktop and Undercounter Basin are ready to install; apply silicone sealant along the furniture unit before placing the worktop.



Carefully place the worktop on the unit and secure in place. Once the worktop is in the correct position, apply silicone sealant along the back of the worktop. This will prevent any water from getting behind the unit. Wipe any excess sealant with a soft cloth. Refer to the tap/waste instructions to complete installation.



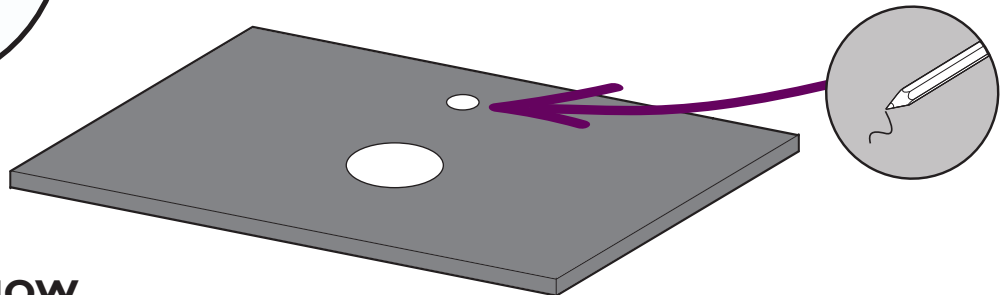
INSTALLATION WITH VESSEL BASINS



Place your worktop on a soft surface to prevent scratches and damage.

The worktop shown in these instructions are for illustration purposes only. All products in this range can be fitted using the guide below.

Mark your tap/vessel basin holes if required, leaving space for your taps to be connected without obstructing the basin.



GOOD TO KNOW

Use masking tape to mark any cut holes required.

Ink will permanently damage the worktop surface.

A mixer tap (one hole) requires a 35mm hole.
Basin taps (2 holes) require 30mm holes and 3H basin taps (3 holes) require the centre hole to be 35mm, and the two outside holes to be 30mm. Refer to your vessel basin fitting instructions for the cut-out size.

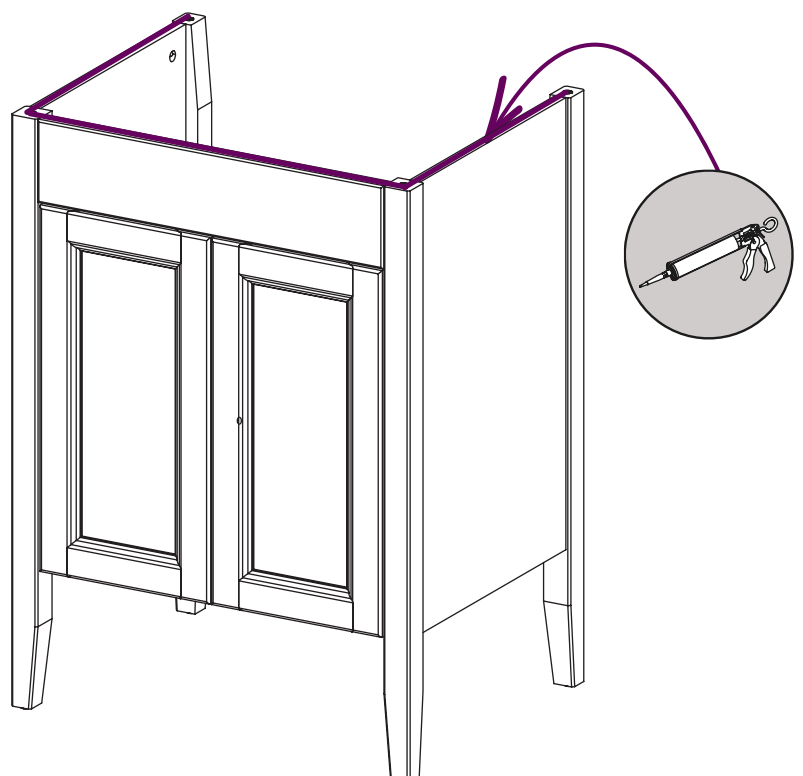
Holes must be positioned so that there is sufficient space to allow the back nut (or other fixing type) on your taps to be installed. Check that there is sufficient spout reach over the basin and space to operate the handle(s) once fitted.



Any cut outs must be sealed to prevent water ingress!

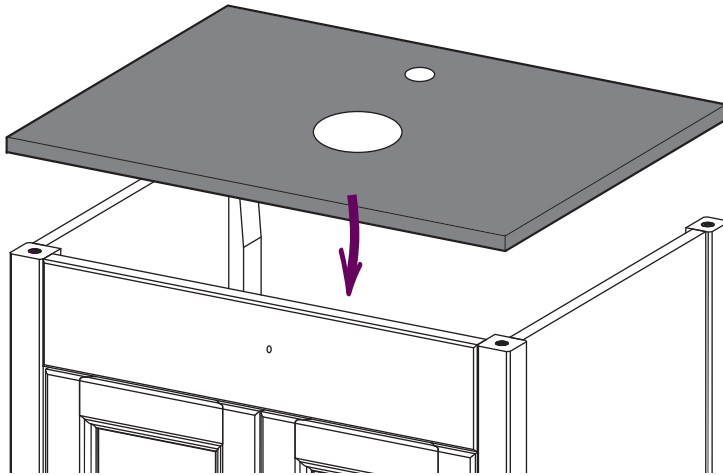
Remove basin and cut out tap holes from the top of the worktop. We recommend using a diamond tipped hole saw drill. Remove protective film and fit basin to worktop (refer to basin instructions).

Apply silicone sealant along the furniture unit before placing the worktop.

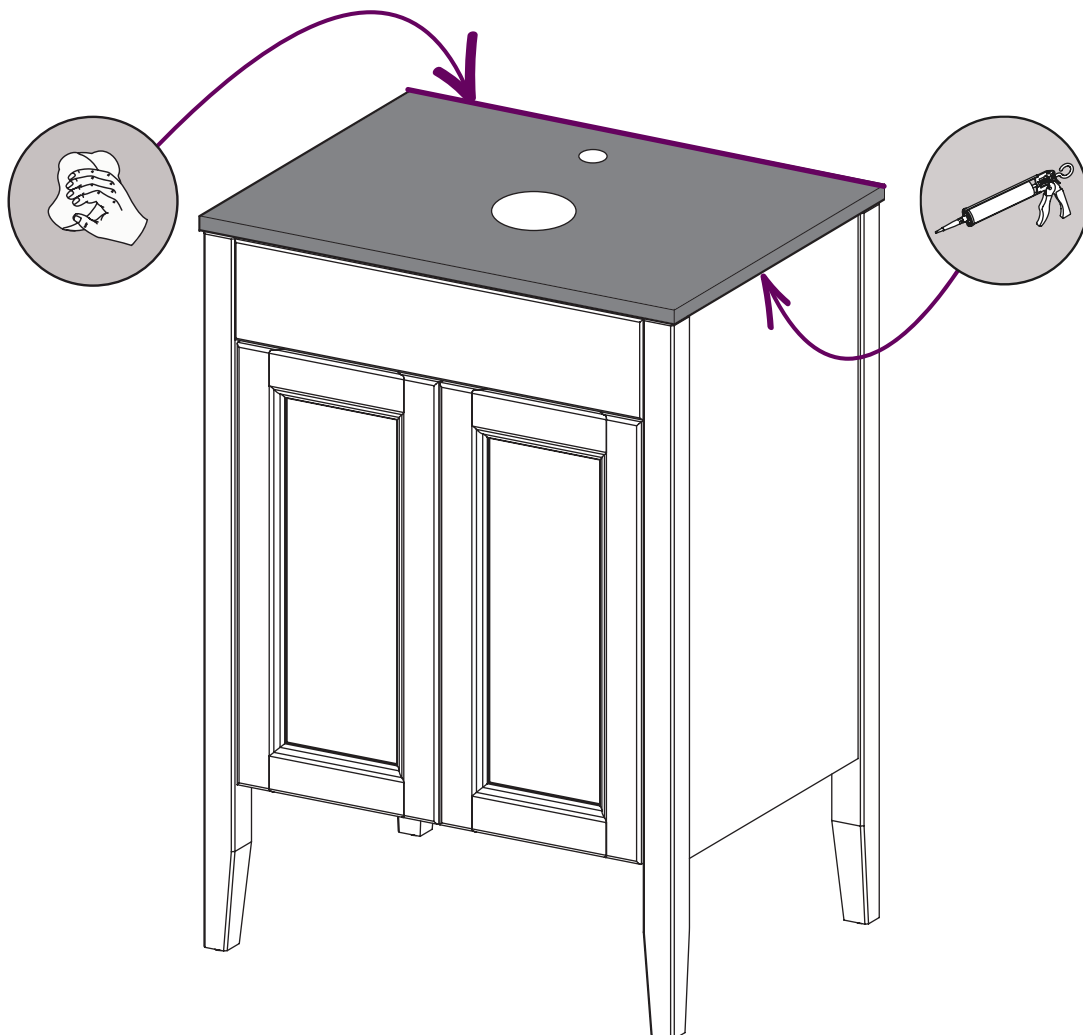


INSTALLATION WITH VESSEL BASINS

Carefully place the worktop on the unit and secure in place.



Once the worktop is in the correct position, apply silicone sealant along the back of the worktop. This will prevent any water from getting behind the unit. Wipe any excess sealant with a soft cloth. Refer to the basin/tap/waste instructions to complete installation.



CARING FOR YOUR PRODUCT

Your worktop has a high quality finish and should be treated with care to preserve the visible surface.

A few tips to prevent defects from forming:

- When installing taps, do not over-tighten, as this may damage the worktop.
- Take care when adjusting the tap and basin position as this may result in scratching
- Sliding hard/sharp objects e.g. cups, bottles etc. across the surface, may result in scratching.
- Occasionally wipe the surface with a soft, damp cloth; dry with a soft, dry cloth.
Wipe away any spillages and excess moisture immediately.
- Do not use any abrasive cleaning agents or materials; these will change the surface condition from the standard finish.

GUARANTEE

The confidence we have in the quality of our products and services enables us to offer a free peace-of-mind product guarantee from 2 years up to a lifetime guarantee against any manufacturing faults, with proof of purchase. In addition, our attentive customer service team are available to help solve any problems which may arise quickly and effectively so you can enjoy your bathroom.

To see the specific guarantee for this product, scan the QR Code or visit the following URL:

<https://www.heritagebathrooms.com/service-centre/guarantee>



NEED HELP?

If your product does not function correctly when you first use it, contact your plumber and make sure that it has been installed and commissioned in line with this Installation and User Guide supplied with the product. If this doesn't solve the problem, then please visit <https://www.heritagebathrooms.com/service-centre/help-and-advice> for some helpful hints and tips; or contact Heritage Customer Service on 0330 026 8503 where our expert team of advisors will be able to offer you, or your plumber, help and advice.



NOTES



NOTES



NOTES



HERITAGE[®]

BATHROOMS

We love to see how Heritage products are used so please keep in touch and share pictures of your new bathroom with us.



@heritagebathrooms

If you have any queries, our dedicated customer service teams and products experts are available to help.

Email us enquire@heritagebathrooms.com Call us **0330 026 8503** Website www.heritagebathrooms.com

UK: Heritage Bathrooms, Pooley Hall Drive, Birch Coppice Business Park, Dordon, Tamworth B78 1SG

EU: Masco Europe S.à.r.l., 14 Rue Strachen, 6933 Mensdorf, Luxembourg.