

HERITAGE

BATHROOMS

Installation Guide



Models Covered:

Soft Close Toilet Seats

Please keep this booklet for future reference.

Installer: When you have read these instructions, please ensure you leave them with the user.

INTRODUCTION

Thank you for buying a Heritage Product. When you buy a Heritage product, you can be confident that it not only features a beautiful, distinctive, classic design, but that it has also been made to the very highest quality standards.

To ensure that it works to its full potential, it needs to be fitted correctly.

These fitting instructions have been created to give you all of the information you need and, if you need any further help, please do not hesitate to give us a call on: 0330 026 8503.

CONTENTS

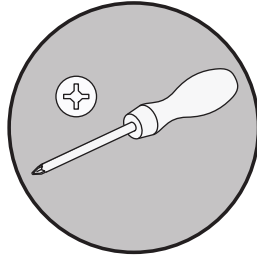
TOOLS REQUIRED	3
PACK CONTENTS	3
INSTALLATION/SEAT ADJUSTMENT	4 - 5
CARING FOR YOUR PRODUCT	6
GUARANTEE	6
NEED HELP?	6
NOTES	7



TOOLS REQUIRED



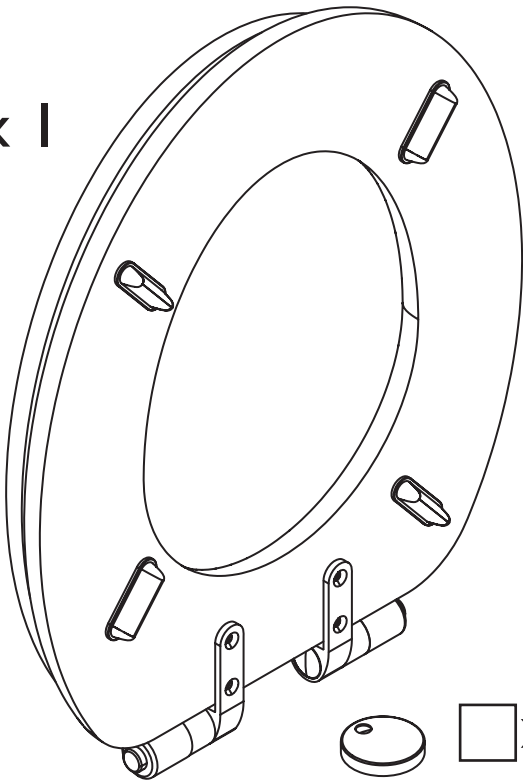
Hand
Tightening



Screw
Driver

PACK CONTENTS

□ x 1



- 1 x Toilet Seat
- 2 x Fixing Covers
- 2 x Fixing Kit
 - Locator Pins
 - Shrouds
 - Long Screws
 - Oblong Washers
 - Nuts

□ x 2



□ x 2

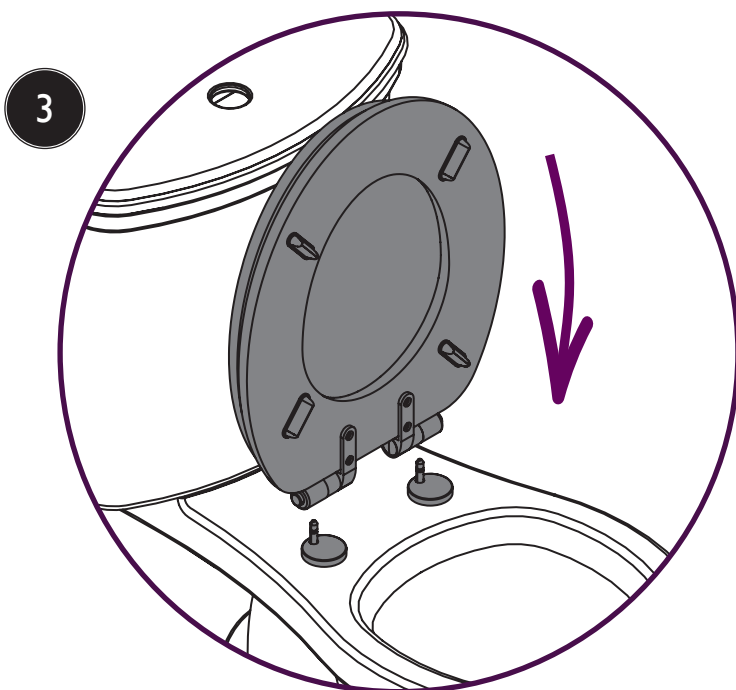
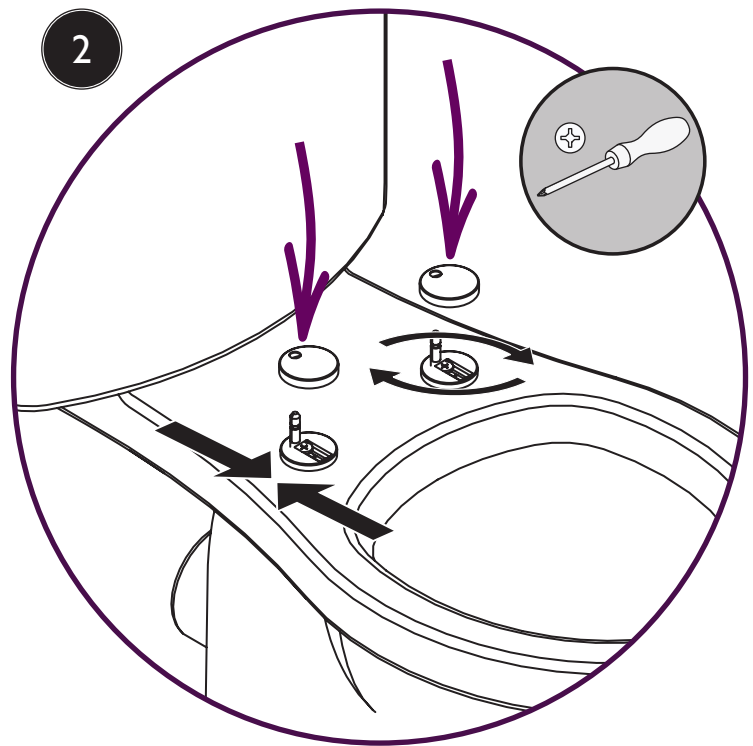


INSTALLATION/SEAT ADJUSTMENT



Feed the long screw, oblong washer and nut through the pan hole until shroud sits on the pan.
HAND TIGHTEN NUT ONLY.

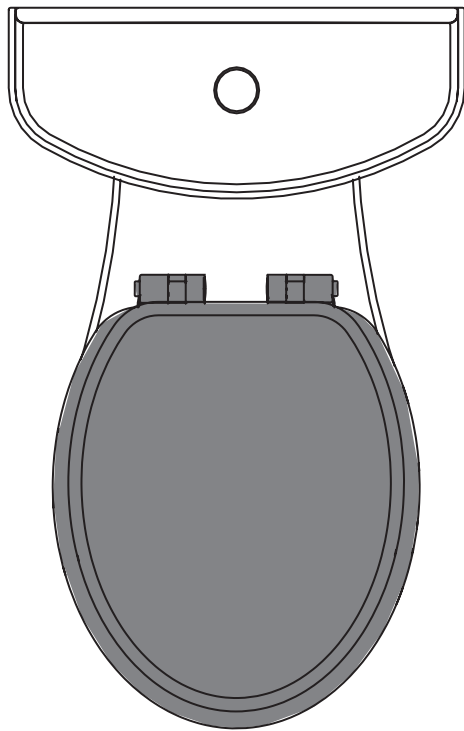
The hinges can be adjusted by moving backwards and forwards and/or rotating so that the pins are closer or further away.
Adjust to suit, then place the fixing covers in place.



Making sure the locator pins are aligned correctly, attach the toilet seat to the hinges.

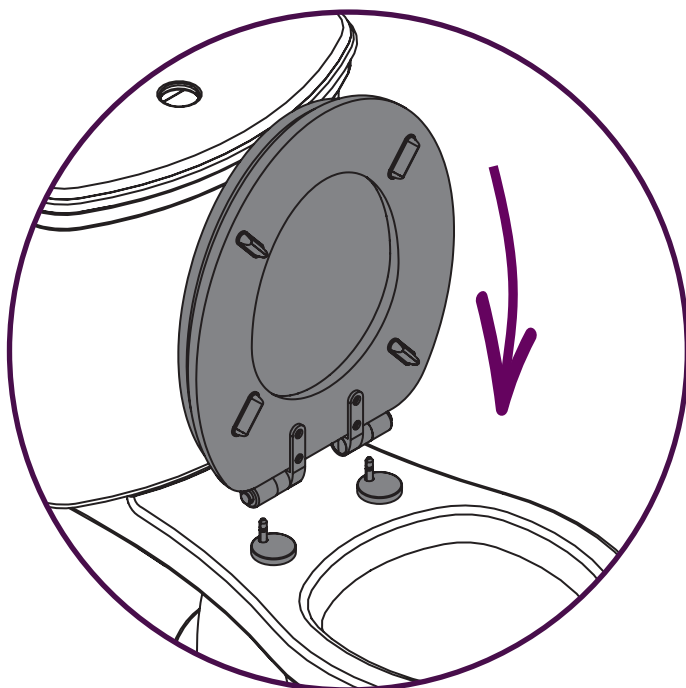
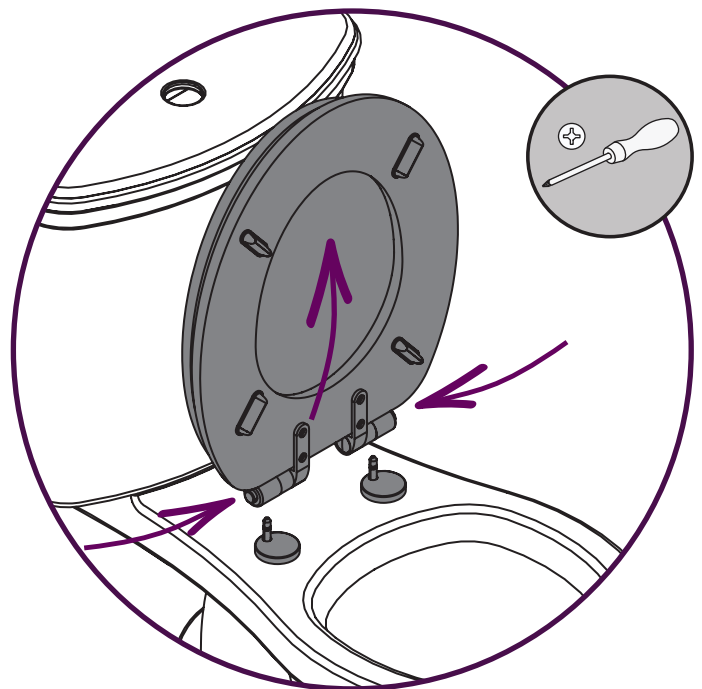
INSTALLATION/SEAT ADJUSTMENT

4



Pull the seat down and check that it is aligned correctly to the pan. If it isn't, the hinges will need to be adjusted.

Push buttons in evenly to remove the toilet seat. Loosen the hinges and adjust the position to suit. Repeat Installation steps 2-4 until the seat is aligned centrally to the pan.



Tighten the screws completely once aligned, then re-attach the toilet seat to the hinges.



CARING FOR YOUR PRODUCT

Heritage products are made from premium materials. Your product should be regularly cleaned with warm water, a mild pH-neutral liquid soap, and polished with a soft cloth. Any residues from soap, toiletries etc. should be rinsed off straight after use.

Household bleaches and cleaners contain harsh chemicals and may damage the seat. Avoid using abrasive cloths, scouring pads, scrub sponges, steel wool or anything similar. In the event that bleach is used to clean the toilet, leave the seat up to prevent damage to the finish.

For plastic toilet seats, make sure that the seat isn't exposed to direct sunlight as this may cause discolouration. Do not use excessive force to open/close the seat as this can cause cracks or failure of performance.

Do not stand or place heavy objects on the seat cover. The weight could damage the seat cover and may cause falls/injuries. Keep children out of reach of the seat to avoid injury.

GUARANTEE

The confidence we have in the quality of our products and services enables us to offer a free peace-of-mind product guarantee from 2 years up to a lifetime guarantee against any manufacturing faults, with proof of purchase. In addition, our attentive customer service team are available to help solve any problems which may arise quickly and effectively so you can enjoy your bathroom.



To see the specific guarantee for this product, scan the QR Code or visit the following URL:

<https://www.heritagebathrooms.com/service-centre/guarantee>

NEED HELP?

If your product does not function correctly when you first use it, then please visit <https://www.heritagebathrooms.com/service-centre/help-and-advice> for some helpful hints and tips; or contact Heritage Customer Service on 0330 026 8503 where our expert team of advisors will be able to offer you help and advice.



NOTES



HERITAGE[®]

BATHROOMS

We love to see how Heritage products are used so please keep in touch and share pictures of your new bathroom with us.



@heritagebathrooms

If you have any queries, our dedicated customer service teams and products experts are available to help.

Email us enquire@heritagebathrooms.com Call us **0330 026 8503** Website www.heritagebathrooms.com

UK: Heritage Bathrooms, Pooley Hall Drive, Birch Coppice Business Park, Dordon, Tamworth B78 1SG

EU: Masco Europe S.à.r.l., 14 Rue Strachen, 6933 Mensdorf, Luxembourg.