

PCNWF00

CLINTON Sanitaryware Range

Clinton Back-To-Wall Pan



Specification

Main Construction Material:	Vitreous China
Plumbing System Suitability:	Suitable for all plumbing systems
Finish:	White
Weight (kg):	21.7
Weight Including Packaging (kg):	24.1
Assembly Required:	No
What's Included?:	1x Pan, 2x L-Brackets, 2x Metal Washers, 2x Raw Plugs, 2x Hex-Head Screws, 2x Screws, 2x Caps

Features:

- Concealed fixings
- All fixings supplied

Product Certifications:



Additional Information:

This Product is Shown With:

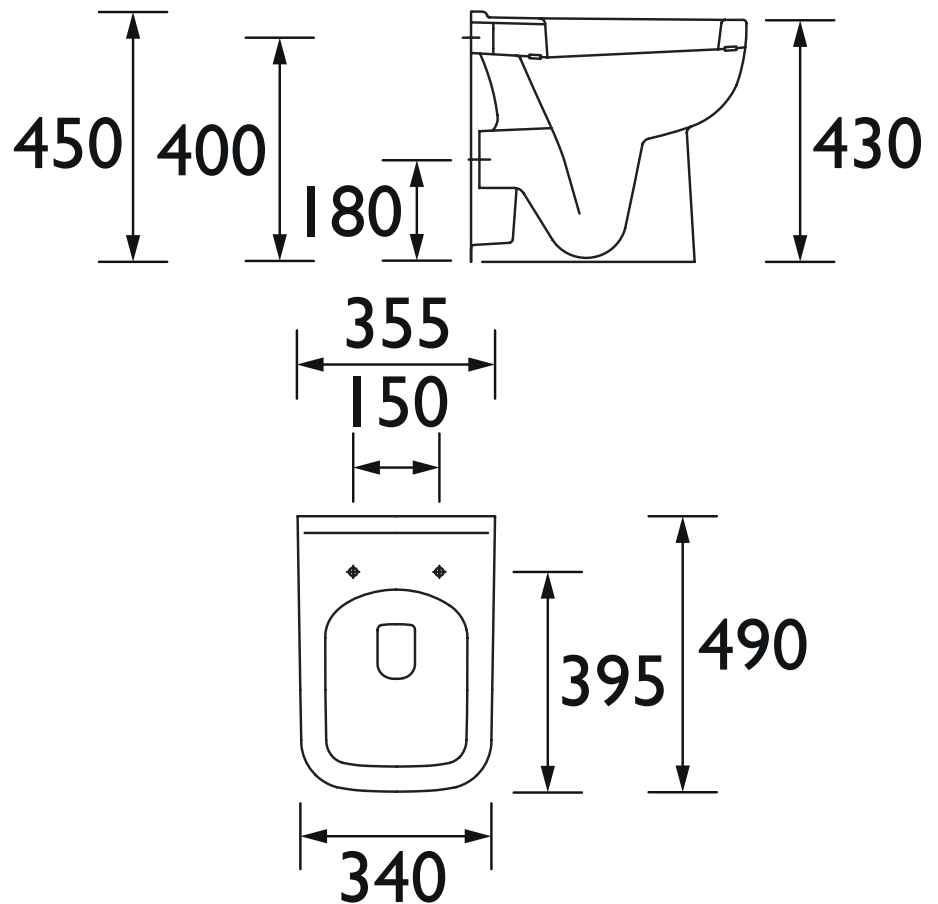
TSWGLI - Clinton Toilet Seat White Gloss

This Product Also Needs:

CFC32 - Concealed Cistern inc. Push Button

TSWGLI - Clinton Toilet Seat White Gloss

Dimensions (measurements in mm)



TECHNICAL DATA SHEET



HERITAGE[®]

BATHROOMS

DI