

2 tap hole basin shown with Caversham
700mm Wall Hung Vanity in Graphite

KIRKHAM

Kirkham Basin for WH unit ITH

PKIW051

Product Features

- Wide ledge perfect for storing luxury toiletries or fluffy hand towels
- Contemporary, luxurious and perfect for the modern home
- 1 Taphole and 2 Taphole options available



Product Specification

Product Construction:
Mineral Cast Resin

Product Finish:
White

Product Weight (Kg):
17.30

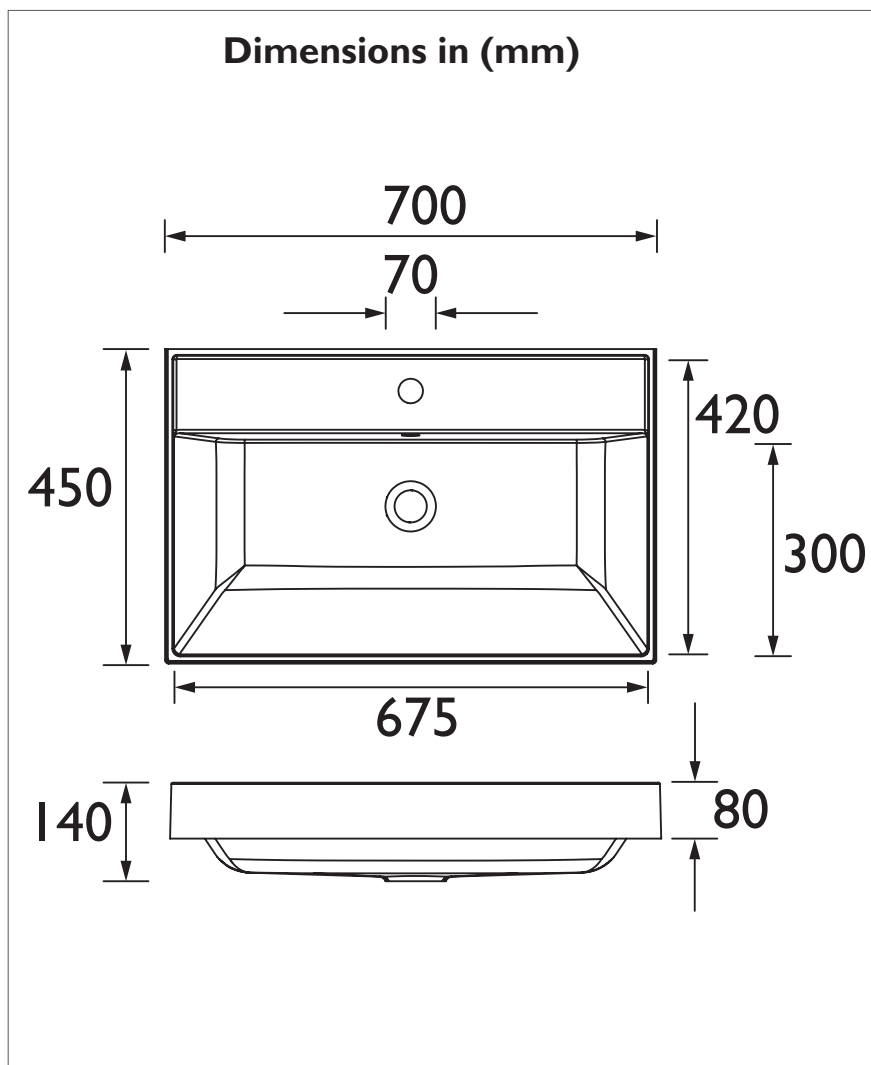
Packaged Product Weight (Kg):
18.80

Assembly Required
No

CE



Dimensions in (mm)



PRODUCT DATA SHEET

Revision: D1

Heritage Bathrooms, Birch Coppice Business Park, Dordon, Tamworth B78 1SG

Tel: 0844 701 8501 | Fax: 0844 701 8502 | Web: www.heritagebathrooms.com | Email: technical@heritagebathrooms.com

The information contained on this page was correct at date of issue. Fitting dimensions are provided as a guide only. Some variation may occur due to manufacturing tolerances. Heritage Bathrooms pursues a policy of continuing improvement in design and performance of its products and so reserves the right to change specifications without prior notice.

5
YEAR
GUARANTEE