

# HERITAGE

## BATHROOMS

### *Installation Guide*



Models covered:

**PKIW05 I**  
**PKIW05**

Please keep this booklet for future reference.

Installer: When you have read these instructions, please ensure you leave them with the user.

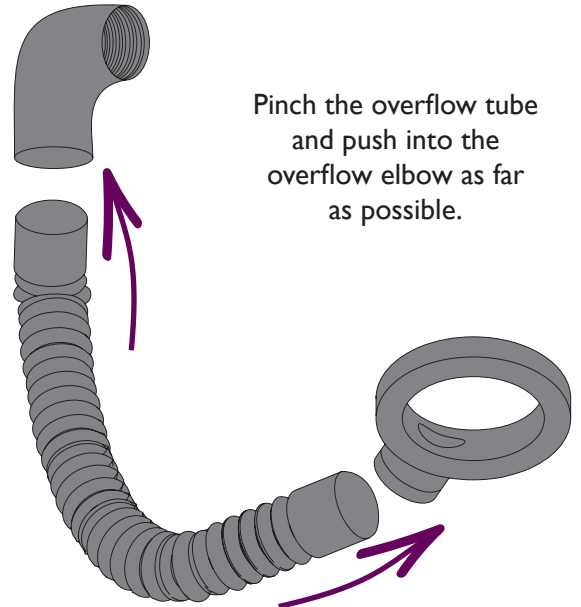
# INSTALLATION

Thank you for buying a Heritage Product.

When you buy a Heritage product, you can be confident that it not only features a beautiful, distinctive, classic design, but that it has also been made to the very highest quality standards. To ensure that it works to its full potential, it needs to be fitted correctly.

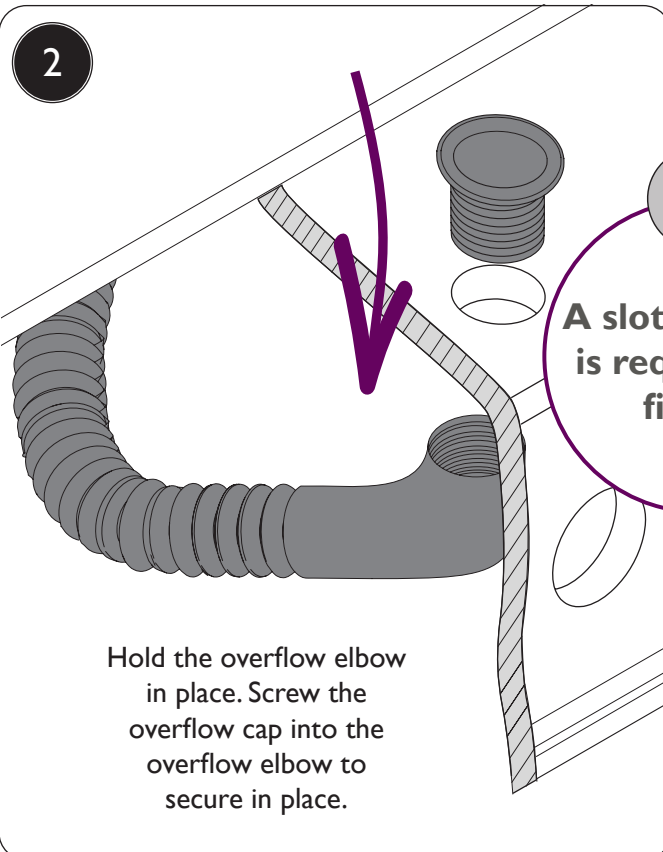
These fitting instructions have been created to give you all of the information you need and, if you need any further help, please do not hesitate to give us a call on 0330 026 8503.

## 1 OVERFLOW



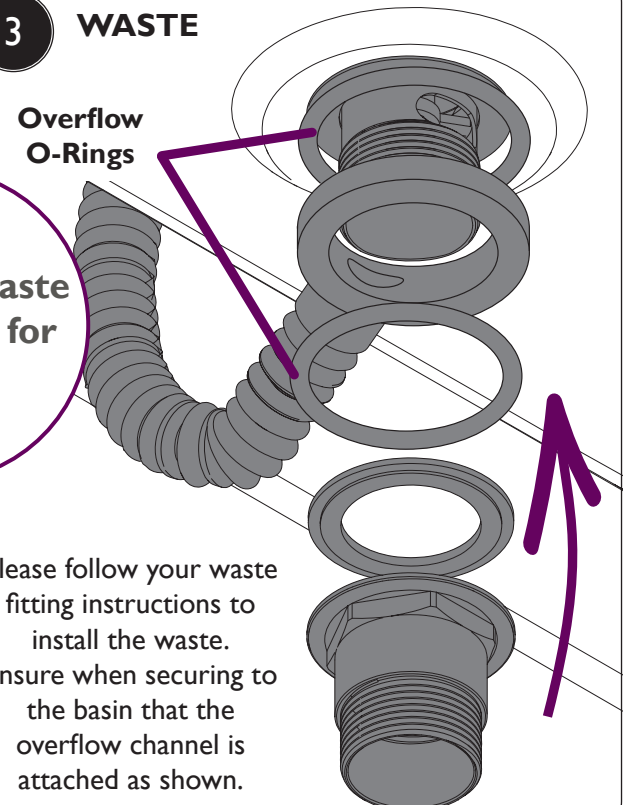
Pinch the overflow tube and push into the overflow elbow as far as possible.

Pinch the other end of overflow tube and push on to the overflow channel. This should meet the seal on the overflow channel.



Hold the overflow elbow in place. Screw the overflow cap into the overflow elbow to secure in place.

## 3 WASTE



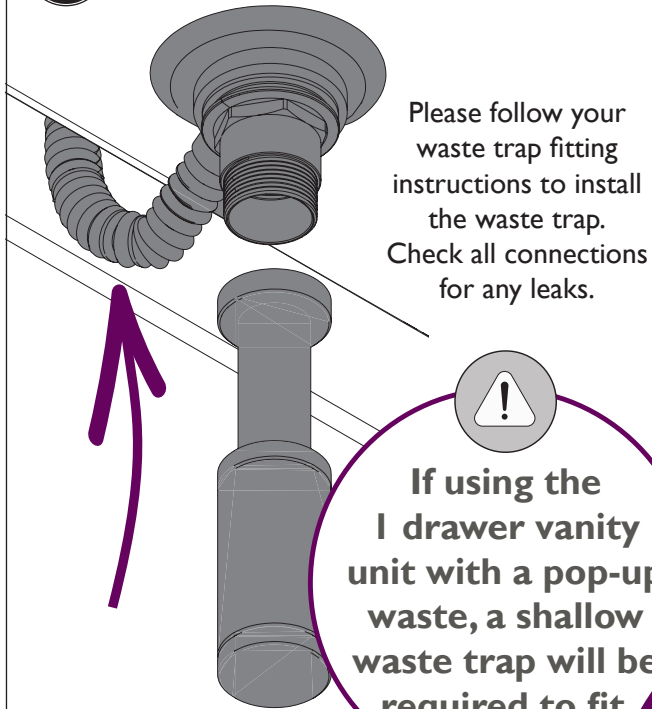
Overflow O-Rings

Please follow your waste fitting instructions to install the waste. Ensure when securing to the basin that the overflow channel is attached as shown.

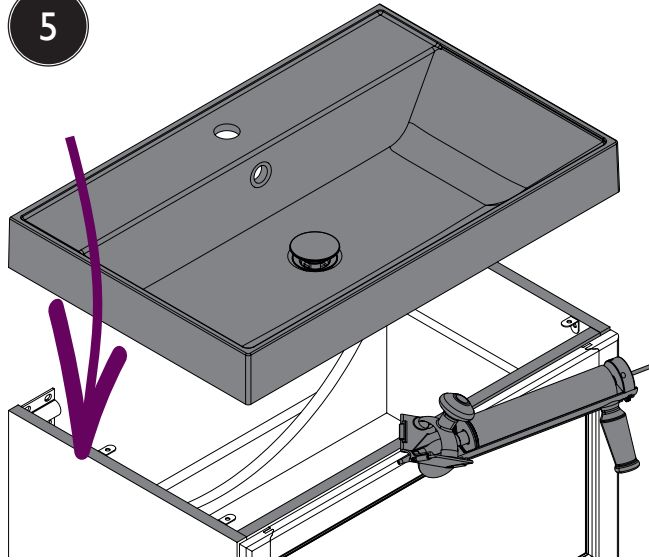
# INSTALLATION



## 4 WASTE TRAP

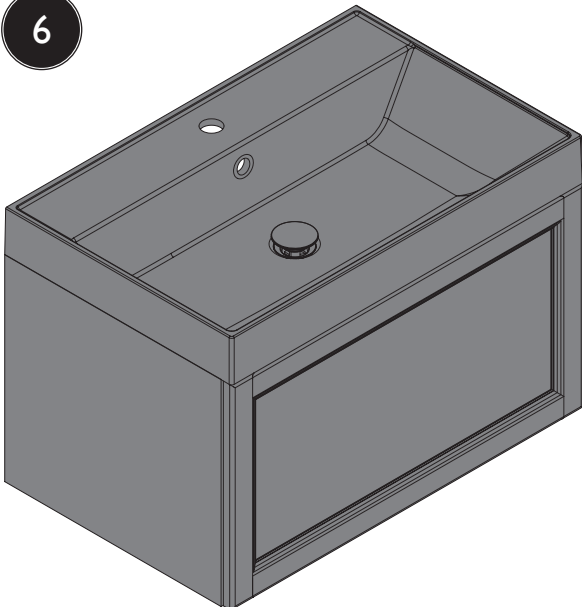


## 5



Ensure the basin will evenly align on top of the unit when pushed up to the wall. Remove the basin. Apply a bead of silicon sealant to the top left and right side edges of the unit only, before the basin is finally positioned.

## 6



Please refer to the instructions which accompany the waste trap and tap(s) selected with this product in order to connect to the pipework.

# CARING FOR YOUR PRODUCT



Your fitting has a high quality finish and should be treated with care to preserve the surface.

- All surface finishes will wear if not cleaned correctly.
- The only safe way to clean your product is to wipe with a soft damp cloth. Any stains can be removed using washing up liquid.
- Do not use cleaning powders or liquids.
- Even non-scratch cleaners may damage the surface of your fitting.

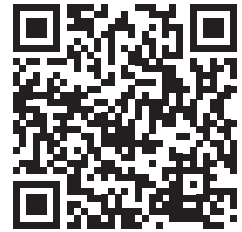
---

# GUARANTEE



---

The confidence we have in the quality of our products and services enables us to offer a free peace-of-mind product guarantee from 2 years up to a lifetime guarantee against any manufacturing faults, with proof of purchase. In addition, our attentive customer service team are available to help solve any problems which may arise quickly and effectively so you can enjoy your bathroom.



To see the specific guarantee for this product, visit the following URL or QR Code.

<https://www.heritagebathrooms.com/service-centre/guarantee>



**HERITAGE<sup>®</sup>**  
BATHROOMS

We love to see how Heritage products are used so please keep in touch and share pictures of your new bathroom with us.



@heritagebathrooms

**If you have any queries, our dedicated customer service teams and products experts are available to help.**

Email us [enquire@heritagebathrooms.com](mailto:enquire@heritagebathrooms.com) Call us 0330 026 8503 Website [www.heritagebathrooms.com](http://www.heritagebathrooms.com)

Heritage Bathrooms Pooley Hall Drive, Birch Coppice Business Park, Dordon, Tamworth B78 1SG