

## **AFTERCARE INSTRUCTIONS**

Your fitting has a high quality finish and should be treated with care to preserve the visible surfaces.

All surface finishes will wear if not cleaned correctly, the only safe way to clean your taps is to wipe with a soft damp cloth. Stains can be removed using washing up liquid. All bath cleaning powders and liquids can damage the surface of your fitting even the non-scratch cleaners.

## **GUARANTEE**

All products are manufactured to the highest standards and a 5-year guarantee covers any defect in manufacture.

**NOTE: - The 5-year guarantee on the valve is invalidated if damaged by any waterborne debris.**

## **CONTACT DETAILS**

If you require further assistance please contact Heritage Sales and Technical Enquiries:

**Sales:** 0844 701 8501

**Technical:** 0844 701 8503

**Email:** [technical@heritagebathrooms.com](mailto:technical@heritagebathrooms.com)

**Website:** [www.heritagebathrooms.com](http://www.heritagebathrooms.com)

**Heritage Bathrooms**  
Unit 6 Albert Road  
St Philips Central  
Bristol  
BS2 0XJ

(HFI AHC73/AHC90/AHA73/AHA90)

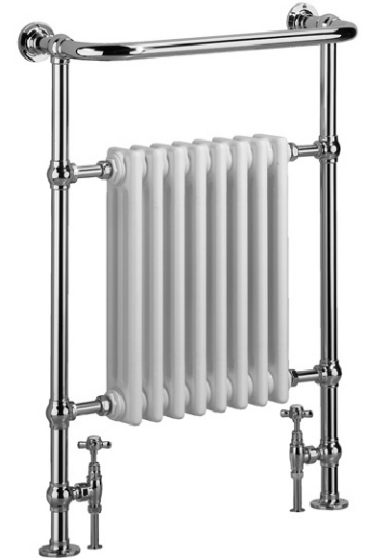
(Rev D3)



**HERITAGE<sup>®</sup>**  
**BATHROOMS**

# **Clifton and Cabot Heated Towel Rail (AHC73 / AHC90) (AHA73 / AHA90)**

## **Fitting Instructions & Contents List**



Before starting any installation project please consider:

Prior to drilling into walls, check there are no hidden electrical wires, cables or water supply pipes with the aid of an electronic detector. If you use power tools do not forget:

- Wear eye protection
- Unplug equipment after use



**Please keep these instructions for future reference and request of replacement part**

**FOR WEIGHT OF PRODUCTS, PLEASE SEE TABLE ON PAGE 5**

## **INTRODUCTION**

Thank you for selecting this quality product that has been rigorously tested during manufacture and will give many years good service if installed correctly and used as intended.

Please read these instructions carefully, prior to installation.

Please check that all parts are present and that you are ENTIRELY satisfied with the size, design and finish quality of the product BEFORE starting installation.

## **GENERAL INFORMATION**

This product has been designed and manufactured to comply with BS EN 442-1:1996, BS EN 442-2:1997, BS EN 442-3:2003 - Specification for radiators and convertors.

Carefully unpack and inspect your new radiator for any damage or component shortages. Report any discrepancy to Heritage **before installation via contact in store or call direct on 0844 701 8503.**

Protect the radiator from any construction damage during installation.

**IMPORTANT - This product is intended for indoor heating purposes only.**

**WARNING - If heavier than 25kg lift only with assistance or with lifting equipment and we recommend the use of gloves, goggles and protective footwear during installation.**

**SAFETY - Please look out for "Safety Notes" throughout the instructions which we recommend are followed to avoid the risk of injury.**

A central heating system is not a single loop of hot water and therefore it is essential to have a "flow and "return" to the product.

This product is not suitable for use on direct central heating systems because a corrosion inhibitor cannot be added.

Consult an expert to see whether floor or wall is suitable for installation. Check and replace screws/wall fixings supplied if necessary to suit wall type.

Align air vents if possible to point downwards as there is a risk of scalding from escaping hot water during bleeding operation.

## **NOTES - Please use this space to add your notes.**



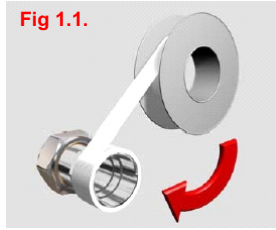
## STEP 1

Disassemble the screwed union from the radiator valve.  
Apply PTFE thread sealing tape around the threads  
(See Fig.1.1) and secure into radiator.

**DO NOT OVERTIGHTEN AS THIS MAY CREATE DAMAGE AND CAUSE LEAKAGE**

Reassemble the radiator valve loosely tightening the union nut.

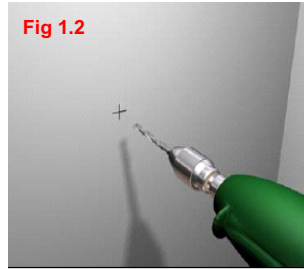
Fig 1.1.



## STEP 2

Carefully position the radiator into the required location ensuring sufficient clearance above, to the sides and to the back of the radiator. Mark the appropriate fixing points on the wall. (Fig.1.2) Drill the correct size hole.

Fig 1.2



Before starting any installation project please consider:

Prior to drilling into walls, check there are no hidden electrical wires, cables or water supply pipes with the aid of an electronic detector. If you use power tools do not forget:

- Wear eye protection
- Unplug equipment after use

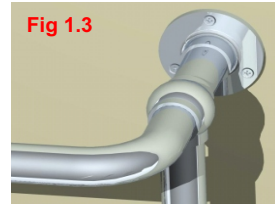


## STEP 3

Secure the radiator to the wall using the screws.  
(See Fig.1.3).

If fitting to plasterboard wall, please use appropriate fixings. **(SOLD SEPARATELY).**

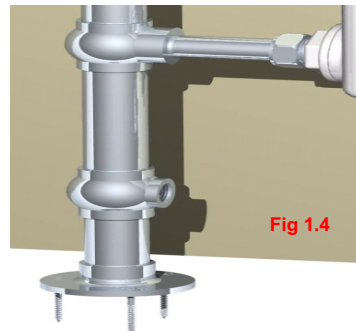
Fig 1.3



## STEP 4

Secure the bottom brackets of the radiator to the floor, using fixing screws provided. (See Fig.1.4).

Fig 1.4



## STEP 5

Fit the radiator valves (supplied) and connect to pipework. (Fig.1.5).  
Check that all fittings are securely tightened before filling with water.

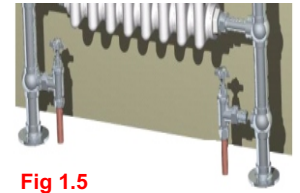


Fig 1.5

## STEP 6

Loosen the central screw of the air vent plug to let out the trapped air from the radiator (See Fig.1.6), while filling system & close as soon as water starts escaping.



Fig 1.6

## STEP 7

Fill the system with water and check carefully for leaks.

**IT IS ADVISABLE TO HAVE TWO PEOPLE FOR FILLING SO THAT ONE CAN CONTROL THE WATER FLOW WHILE THE OTHER CHECKS FOR LEAKS.**

Provided no leaks are found, the system should be thoroughly flushed using a central heating cleanser. Flushing the system is essential to clean out any debris that may have been introduced.

**DO NOT ATTEMPT TO FLUSH WITH JUST WATER AS THIS WILL NOT CLEAR ALL DEBRIS.**

Fill the system again using just water and this time; turn the central heating on for a hot test. Let the system run for at least one hour and continually check for leaks.

Re-inspect the seals 24 hours after installation to ensure integrity.

Provided that the system is 100% watertight, add a central heating protector which will improve the efficiency and lifecycle of the entire central heating system.

**If inhibitor is not used as above, the performance of the product will be reduced and will invalidate the product guarantee.**