

HERITAGE

BATHROOMS

INSTALLATION GUIDE



MODELS COVERED:

Worktops

Please keep this booklet for future reference.

Installer: When you have read these instructions, please ensure you leave them with the user.

INTRODUCTION



Thank you for buying a Heritage Product. When you buy a Heritage product, you can be confident that it not only features a beautiful, distinctive, classic design, but that it has also been made to the very highest quality standards.

To ensure that it works to its full potential, it needs to be fitted correctly.

These fitting instructions have been created to give you all of the information you need and, if you need any further help, please do not hesitate to give us a call on: **0330 026 8503**.

CONTENTS



Safety Notice	3
Installer Guidelines	3
Installation - Worktops	4-6
Cleaning Instructions	7
Guarantee	7


SAFETY NOTES



Please read these instructions and retain for future use.

All products manufactured and supplied by Heritage are safe, provided they are installed correctly, used correctly and receive regular maintenance in accordance with these instructions.

If you are in any doubt about your ability to install this product safely you must employ the services of a competent person who has experience of fitting products of this nature.

 Before starting any installation project please consider the following:

- Prior to drilling into walls, check there are no hidden electrical wires or cables or water supply pipes with the aid of an electrical detector.
- If you use power tools do not forget PPE:
 - Wear eye protection.
 - Unplug equipment after use.
- Keep electrical equipment away from sources of water.
- This product must not be modified in any way as this will invalidate the guarantee.
- Basins, including the connecting water and waste system need to be installed in accordance with and meet the requirements of the water supply regulations 1999 (Water Fittings) and Scottish By-Laws 2004.
- If a blow lamp is used when plumbing, the flame must be kept away from the worktops otherwise damage may occur.

INSTALLER GUIDELINES



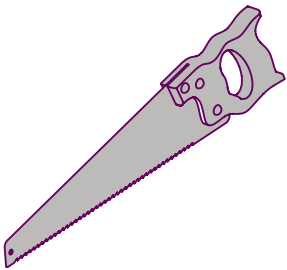
IMPORTANT: Always double check and measure twice, thoroughly inspect the worktop for any transit damages and marks prior to fitting

Keep an eye out for the **'INSTALLER TIPS'** throughout the instructions for helpful advice.

INSTALLATION - WORKTOP

INSTALLER TIPS

When using a handsaw, cut through from laminate surface. A sharp fine tooth 10/12 teeth per inch is ideal for a perfect cut.



Claverton - SEMI-RECESSED BASIN

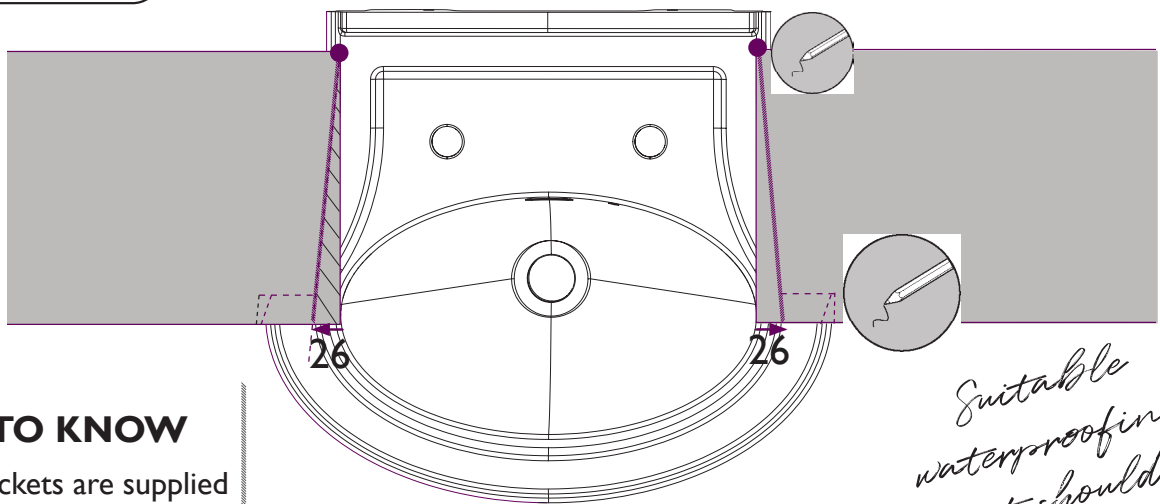
Acrylic and Laminate
2000mm, 1400mm and 700mm

Align the worktop with the basin, making sure that the worktop runs true against the wall.

On both sides of semi-recessed basin worktop, measure from the front of the worktop, 26mm. Mark it and then draw an angled line to the back of the worktop. Check that cutting at this angle gives enough worktop coverage under the basin, we recommend 20mm.

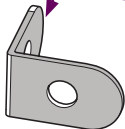
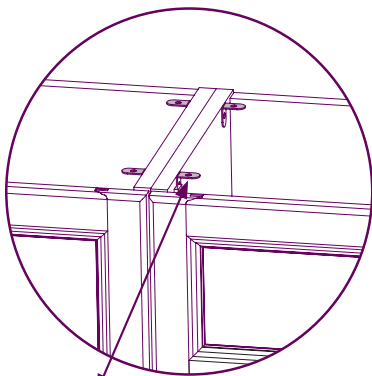
For the Claverton an extra cut will be required, under the rim of the basin. This will need to be an angled notch, please see an example for the cut at the bottom of the page.

The worktop should be put against the basin, to make sure that the angle suits the basin, due to nature of ceramic there will be variants in sizes.



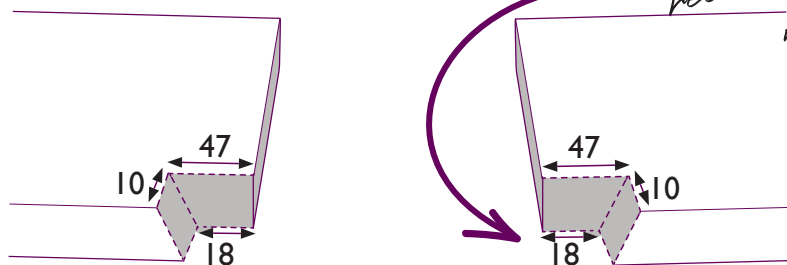
GOOD TO KNOW

'L' shaped brackets are supplied with the base units for you to secure your worktop.



CUTTING THE NOTCH

Claverton



Suitable waterproofing agent should be applied to the recently cut out notch.

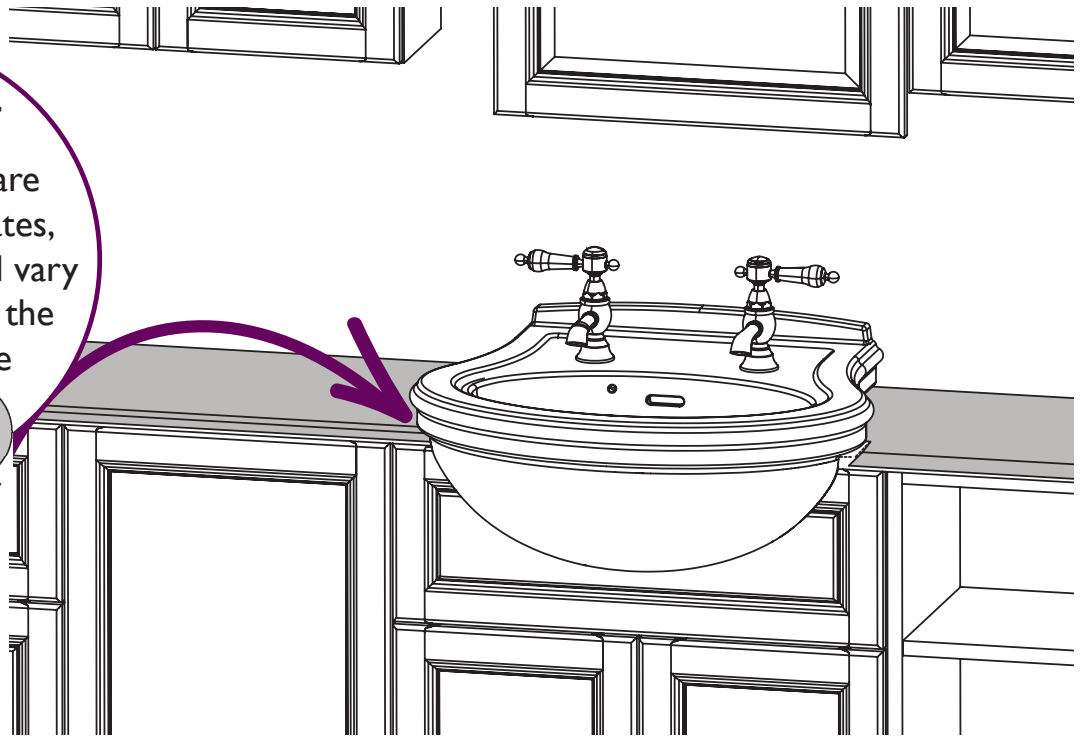
If you are fitting the Claverton basin, you will need to cut a notch like this either side of the worktop, to allow for the basin to sit correctly next to the worktop.

Suitable waterproofing agent should be applied to the recently cut out notch, and a bead of silicone sealant should run along the worktop, where the basin meets the worktop.

INSTALLATION- WORKTOPS

IMPORTANT

Dimensions given are approximate estimates, ceramic products will vary in size so will affect the notch cutting size



MAKE SURE THAT THE WORKTOP RUNS TRUE WITH THE WALL BEFORE MAKING ANY FINAL CUTS

Dorchester & Granley - SEMI-RECESSED BASIN

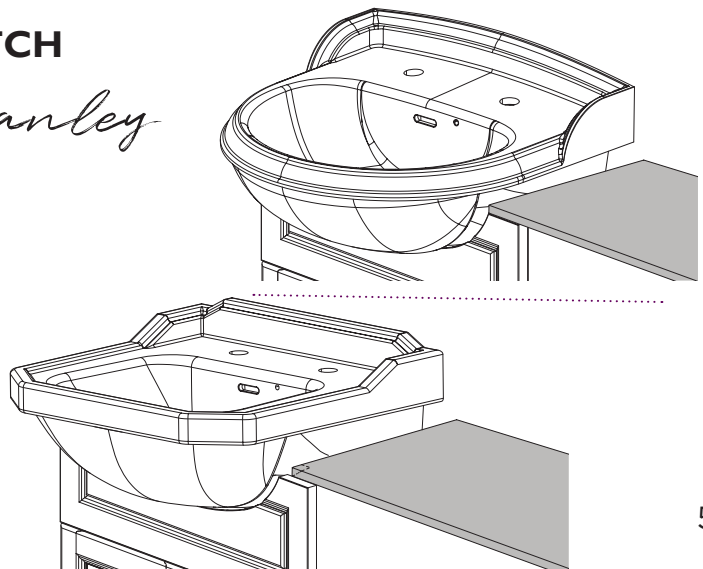
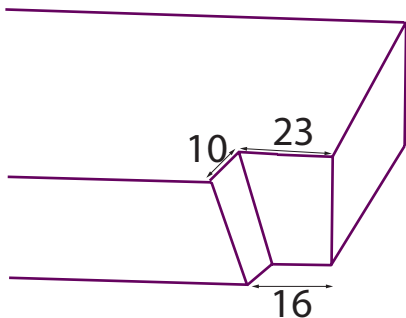
Acrylic and Laminate
2000mm, 1400mm and 700mm

If you are fitting either Dorchester or Granley Basin, you will not need to cut the worktop at an angle before cutting a notch. An extra cut will be required, under the rim of the basin for both the Dorchester and Granley Basins, this will need to be an angled notch.

Suitable waterproofing agent should be applied to the recently cut out notch, and a bead of silicone sealant should run along the worktop, where the basin meets the worktop.

CUTTING THE NOTCH

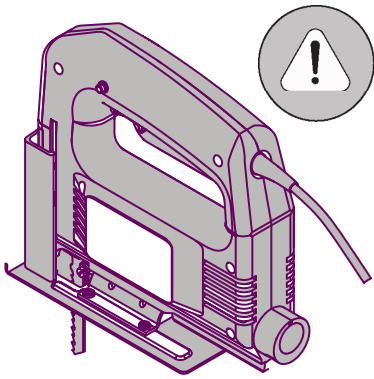
Dorchester & Granley



INSTALLATION- WORKTOPS

INSTALLER TIPS

When using a power saw, cut from underside of worktop. With the worktop face down follow your marking so that the saw teeth cuts towards the laminate surface.



Drill a pilot hole in the centre of the required hole, using the correct tool for the cut out.

Caversham SINGLE VANITY UNIT WORKTOPS

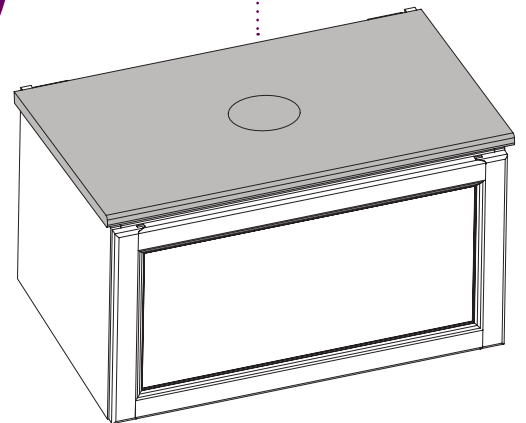
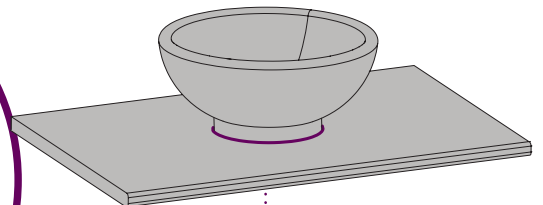
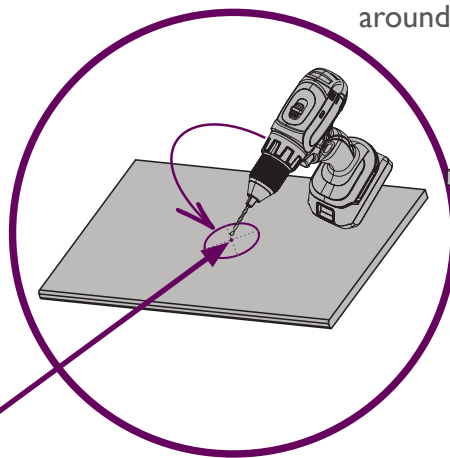
Laminate, Oak

700 mm

For the Single Vanity Unit (1 Drawer or 2 Drawer) you will need to cut out a hole to allow for the waste outlet.

Measure a centre point, position your basin and mark out the space. You will need to ensure that the hole you cut out will be within the size of the base of your basin.

Once the desired position has been marked, we recommend that you drill a pilot hole, so that you can start to cut out the shape you require. Secure the worktop to the vanity unit using silicone sealant, around the frame of the unit.



Caversham DUAL VANITY UNIT WORKTOPS

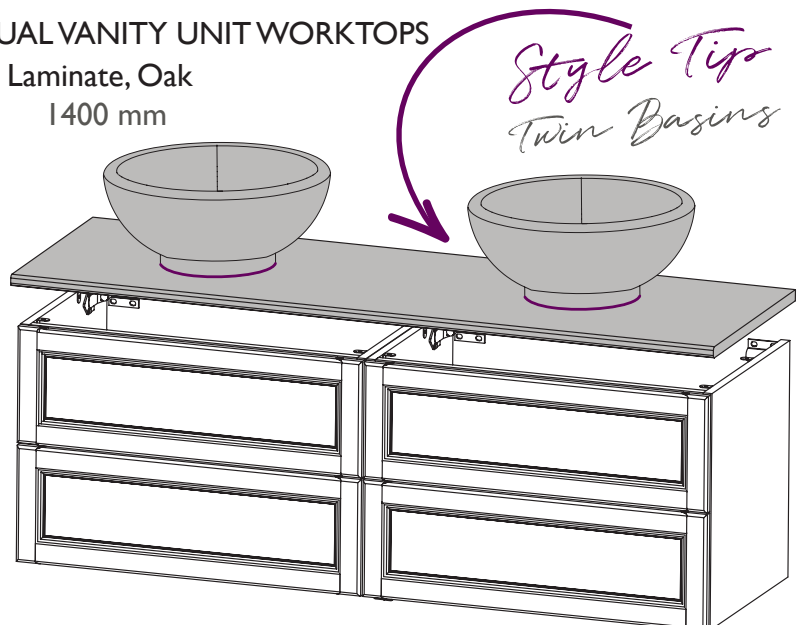
Laminate, Oak

1400 mm

As you can fit the Wall Hung Vanity Units side by side, you can fit our Dual worktop.

You can decide if you fit two basins or one. Once the desired position has been marked, we recommend that you drill a pilot hole, so that you can start to cut out the shape you require.

Secure the worktop to the vanity unit using silicone sealant, around the frame of the unit.



*Style Tip
Twin Basins*

CLEANING INSTRUCTIONS



IMPORTANT BEFORE FITTING

Please peel back the protective film to check for colour matching **before** commencing installation. It can easily be pushed back after checking the match and before carrying out the installation.

Cleaning Recommendations Acrylic and Laminate

Light -Normal Stains/Dirt

Dry or damp paper towels, a cloth or sponge.

Heavy Stains/Dirt

Dry or damp paper towels, a cloth or sponge.

- Any additional cut outs of the worktop should be sealed with suitable waterproofing agents.
- Always avoid excess water around areas where there are cut-outs, as these are potential weak areas.
- Always wipe away excess standing water immediately.
- Never leave any damp cloths, sponges or anything wet on joints, as these are weak areas for water ingress.
- Dry or damp paper towels, a cloth or sponge.

GUARANTEE



The confidence we have in the quality of our products and services enables us to offer a free peace-of-mind product guarantee from 2 years up to a lifetime guarantee against any manufacturing faults, with proof of purchase. In addition, our attentive customer service team are available to help solve any problems which may arise quickly and effectively so you can enjoy your bathroom.



To see the specific guarantee for this product, visit the following URL or QR Code.

<https://www.heritagebathrooms.com/service-centre/guarantee>

HERITAGE[®]

BATHROOMS

We love to see how Heritage products are used so please keep in touch and share pictures of your new bathroom with us.



@heritagebathrooms

If you have any queries, our dedicated customer service teams and products experts are available to help.

Email us enquire@heritagebathrooms.com Call us 0330 026 8503 Website www.heritagebathrooms.com

Heritage Bathrooms Pooley Hall Drive, Birch Coppice Business Park, Dordon, Tamworth B78 1SG