

Caversham

Caversham 300mm Base Unit Ivory Lace

FFIVLBU300

Product Features

- UK designed. Manufactured to a high quality
- Easy to clean
- Durable to withstand everyday use in a busy household
- Stylish yet functional storage solution
- Adjustable feet for uneven floors
- A choice of over 20 handles to choose from

Product Specification

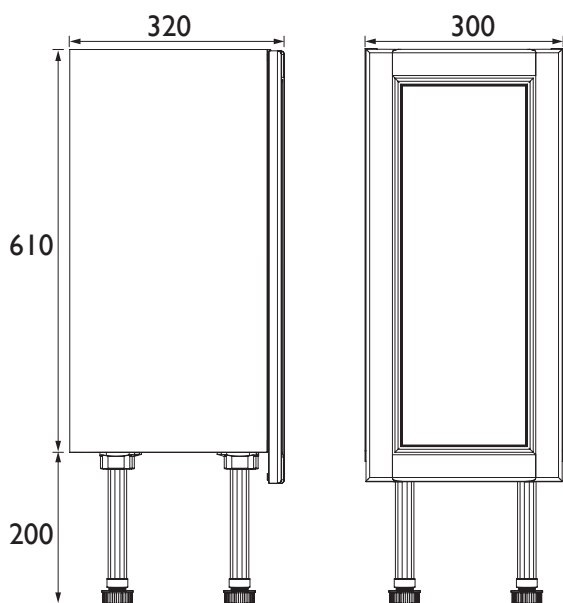
Product Construction:
Oak

Product Finish:
Ivory Lace

Product Weight (Kg):
17.03

Packaged Product Weight (Kg):
21.42

Dimensions in (mm)



Revision: D1

