

## Caversham

### Caversham 300mm Open Base Unit Graphite FFGRAOBU300

#### Product Features

- UK designed. Manufactured to a high quality
- Easy to clean
- Durable to withstand everyday use in a busy household
- Stylish yet functional storage solution
- Adjustable feet for uneven floors
- Available in 3 colours for bathroom personalisation

#### Product Specification

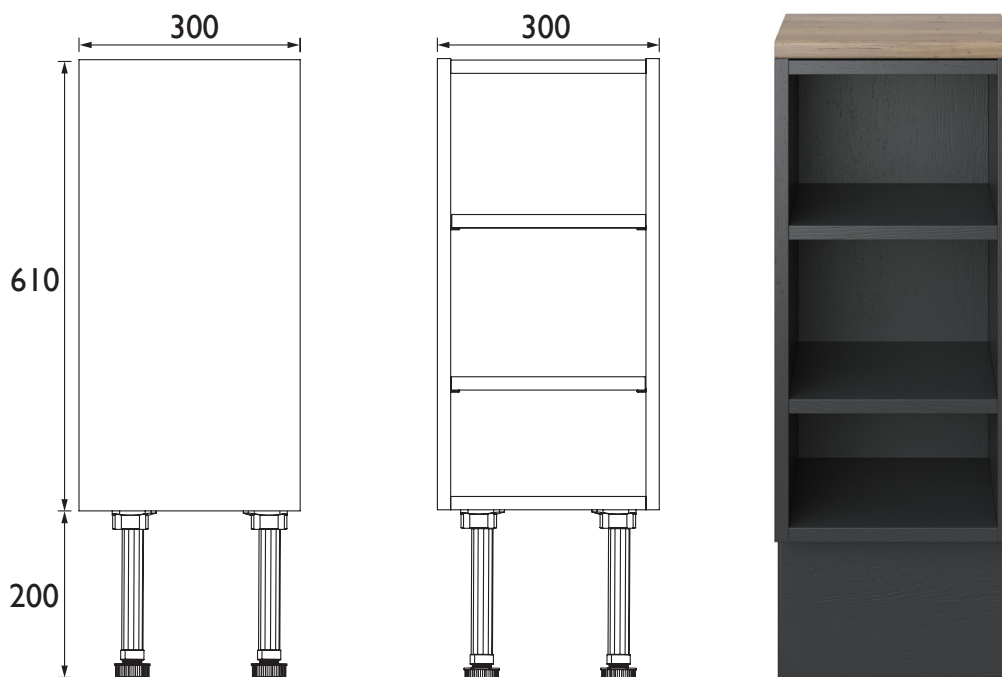
**Product Construction:**  
Oak

**Product Finish:**  
Graphite

**Product Weight (Kg):**  
10.1

**Packaged Product Weight (Kg):**  
12.69

#### Dimensions in (mm)



Revision: D1

Heritage Bathrooms, Birch Coppice Business Park, Dordon, Tamworth B78 1SG

Tel: 0844 701 8501 | Fax: 0844 701 8502 | Web: [www.heritagebathrooms.com](http://www.heritagebathrooms.com) | Email: [technical@heritagebathrooms.com](mailto:technical@heritagebathrooms.com)

The information contained on this page was correct at date of issue. Fitting dimensions are provided as a guide only. Some variation may occur due to manufacturing tolerances. Heritage Bathrooms pursues a policy of continuing improvement in design and performance of its products and so reserves the right to change specifications without prior notice.