

HERITAGE

BATHROOMS

Caversham

Caversham 300mm Base Unit Graphite

FFGRABU300

Product Features

- UK designed. Manufactured to a high quality
- Easy to clean
- Durable to withstand everyday use in a busy household
- Stylish yet functional storage solution
- Adjustable feet for uneven floors
- A choice of over 20 handles to choose from

Product Specification

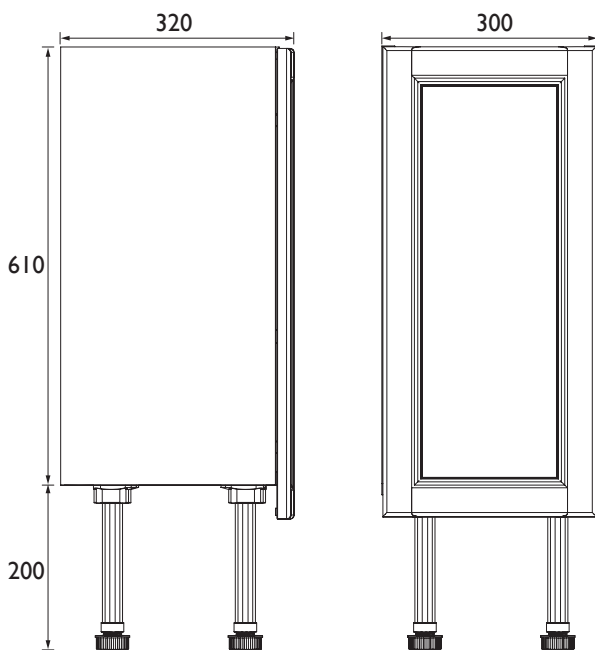
Product Construction:
Oak

Product Finish:
Graphite

Product Weight (Kg):
17.03

Packaged Product Weight (Kg):
21.42

Dimensions in (mm)



Revision: D1

Heritage Bathrooms, Birch Coppice Business Park, Dordon, Tamworth B78 1SG

Tel: 0844 701 8501 | Fax: 0844 701 8502 | Web: www.heritagebathrooms.com | Email: technical@heritagebathrooms.com

The information contained on this page was correct at date of issue. Fitting dimensions are provided as a guide only. Some variation may occur due to manufacturing tolerances. Heritage Bathrooms pursues a policy of continuing improvement in design and performance of its products and so reserves the right to change specifications without prior notice.

PRODUCT DATA SHEET

5
YEAR
GUARANTEE