

HERITAGE

BATHROOMS

Caversham

Caversham 600mm Vanity Unit Graphite

FFGRAVAN600

Product Features

- UK designed. Manufactured to a high quality
- Easy to clean
- Durable to withstand everyday use in a busy household
- A choice of over 20 handles to choose from

Product Specification

Product Construction:

Oak

Product Finish:

Graphite

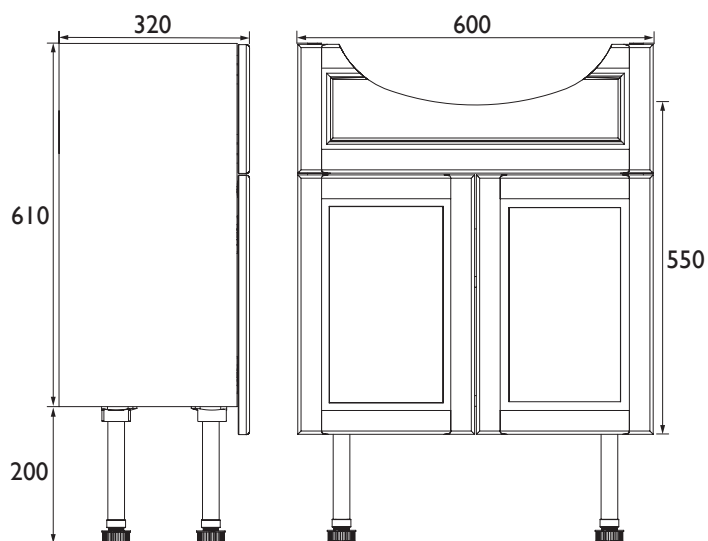
Product Weight (Kg):

24.5

Packaged Product Weight (Kg):

30.81

Dimensions in (mm)



PRODUCT DATA SHEET

Revision: D1

Heritage Bathrooms, Birch Coppice Business Park, Dordon, Tamworth B78 1SG

Tel: 0844 701 8501 | Fax: 0844 701 8502 | Web: www.heritagebathrooms.com | Email: technical@heritagebathrooms.com

The information contained on this page was correct at date of issue. Fitting dimensions are provided as a guide only. Some variation may occur due to manufacturing tolerances. Heritage Bathrooms pursues a policy of continuing improvement in design and performance of its products and so reserves the right to change specifications without prior notice.

5
YEAR
GUARANTEE