

Caversham

Caversham 300mm Floor Tower Unit Dove Grey

FFDGRFTU300

Product Features

- UK designed. Manufactured to a high quality
- Easy to clean
- Durable to withstand everyday use in a busy household
- Stylish yet functional storage solution
- Adjustable feet for uneven floors
- A choice of over 20 handles to choose from

Product Specification

Product Construction:

Oak

Product Finish:

Dove Grey

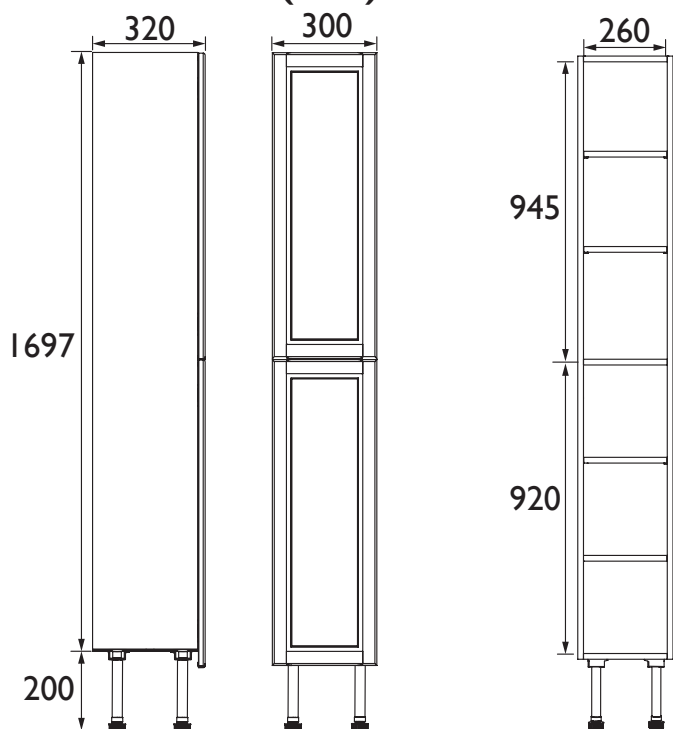
Product Weight (Kg):

37.32

Packaged Product Weight (Kg):

46.56

Dimensions in (mm)



Revision: D1

