

Caversham

Caversham 1700mm Bath Panel Graphite

GRA00

Product Features

- UK Designed & Manufactured
- Easy to clean
- Durable to withstand everyday use in a busy household
- Solid wood showing the grain
- Designed to be used in conjunction with Caversham Furniture
- Matching toilet seats available to complete the look
- Supplied with a plinth to accommodate varying heights and installations

Product Specification

Product Construction:
Oak

Product Finish:
Graphite

Product Weight (Kg):
25.38

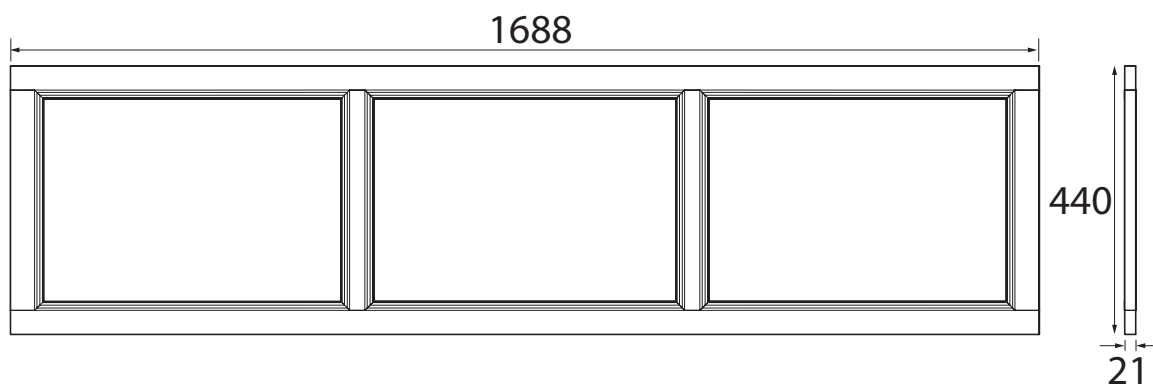
Packaged Product Weight (Kg):
30.74

Dimensions

Height: 440mm
Width: 1688mm
Depth: 21mm

Guarantee

5



Revision: D1

Heritage Bathrooms, Birch Coppice Business Park, Dordon, Tamworth B78 1SG

Tel: 0844 701 8501 | Fax: 0844 701 8502 | Web: www.heritagebathrooms.com | Email: technical@heritagebathrooms.com

The information contained on this page was correct at date of issue. Fitting dimensions are provided as a guide only. Some variation may occur due to manufacturing tolerances. Heritage Bathrooms pursues a policy of continuing improvement in design and performance of its products and so reserves the right to change specifications without prior notice.