

# HERITAGE

## BATHROOMS

### *Installation Guide*



Fitted Baths - Acrylic & Cast Iron

Please keep this booklet for future Reference.

Installer: when you have read these instructions please ensure you leave them with the user.



---

## Introduction



Thank you for buying a Heritage Bathrooms Product.

When you buy one of our products, you can be confident that it not only features a beautiful, distinctive and classical design, but that it has also been made to the very highest quality standards.

To ensure that it serves its purpose correctly, it needs to be fitted correctly, preferably by a competent plumber who has experience of fitting bathrooms.

These fitting instructions have been created to give you all the necessary information you will need to install the product, but, if you need any further information or help, please contact us by phone on 0330 026 8503.

---

## Contents



Safety Notice	03
Installer Guidelines	04
Installation	05-07
Caring for your bath	08
Guarantee	09-10
Notes	11

---

## Safety Note

---

Please make sure you read these instructions and retain for future use.

All products manufactured by Heritage Bathrooms are safe, providing they are installed and used correctly and also receive maintenance when needed.

Baths, including the connecting water and waste system need to be installed in accordance with and meet the requirements of the water supply regulations 1999 (Water Fittings) and Scottish By-laws 2004.

If you are in doubt about your ability to install this product correctly or safely, you should employ the services of an experienced qualified plumber.

This product must not be modified in any way otherwise this will invalidate the guarantee.

Consider the following whilst using power tools:

- Prior to drilling into walls, check there are no hidden electrical cables or wires and there are also no water pipes. These can potentially be found using an electrical or metal detector. You may also need to know some of the schematics of previous installations to determine the suitability and accommodation of the installation.
- Wear the correct PPE, especially ear, eye and hand protection when using power tools. Unplug any mains equipment after use.
- Keep electrical equipment away from sources of water.
- If a blow-lamp is used when plumbing, the flame must be kept well away from the bath otherwise damage may occur.

Cast Iron Baths are very heavy, a lifting aid or second person at minimum will be required to manoeuvre.

Do not stand in the bath until the installation has been completed.

# Installer Guidelines

Before you install this product, please carefully check the product for damages or faults. No liability will be accepted for costs incurred removing or refitting replacement product where the original fault was identified after installation.

When making joints on baths (including the water and waste supplies), only use the washers provided and an approved joining compound, should you find it hard to make sound joints. Should the product have plastic backnuts, avoid excessive tightening.

Please ensure that the installation and accommodation is designed with future serviceability of the product in mind. In the event a future claim is made under the product warranty, the design of the installation may affect compensation costs if it has not been considered in the original design. It is strongly advisable to fit isolation valves before the baths water fixtures in case isolation is required at any point during maintenance. Failure to observe crucial information in these fitting instructions will nullify your guarantee.

This product requires experience within plumbing. No responsibility will be taken for poor workmanship resulting in leaks and injuries.

With fitted baths, bear in mind that waste and tap pipework are likely to be concealed by a bath panel, which is not supplied with the bath. This is a separate accessory that you will need to purchase.

Some baths have a transparent film to protect the surfaces. Before you attempt to install, you should remove this film from around the overflow, waste hole and tap holes, where applicable. Do not remove from the whole product though as you will need to protect it during installation.

Acrylic baths have a wooden frame under the rim, this must remain in place for supports.

It is advisable to fit the waste trap and overflow on these types of bath before you fit the bath into its new position. It is the responsibility of the installer to source and fit a suitable waste trap and overflow for these baths. All fitted baths currently do not come with a waste trap. You may also wish to fit the taps. Please refer to separate instructions.

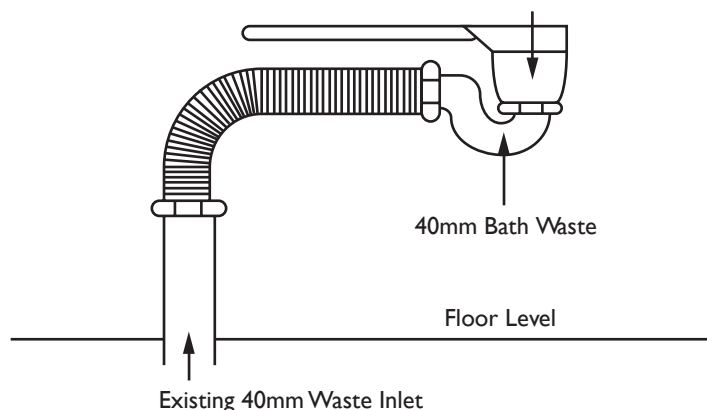


Fig.1

Example of waste connection to bath

# Installation

1

Caution - Check ceiling strength

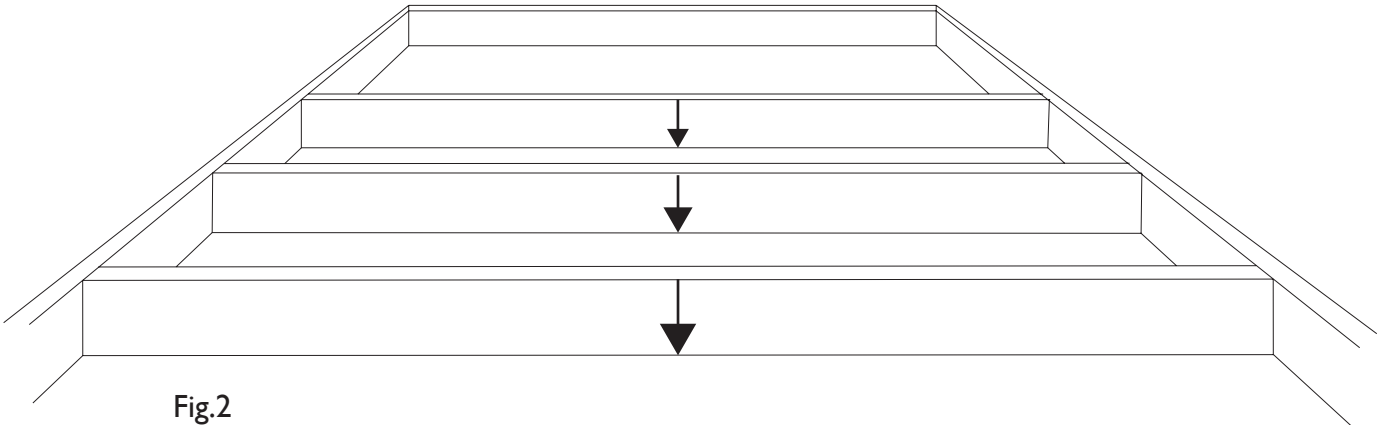
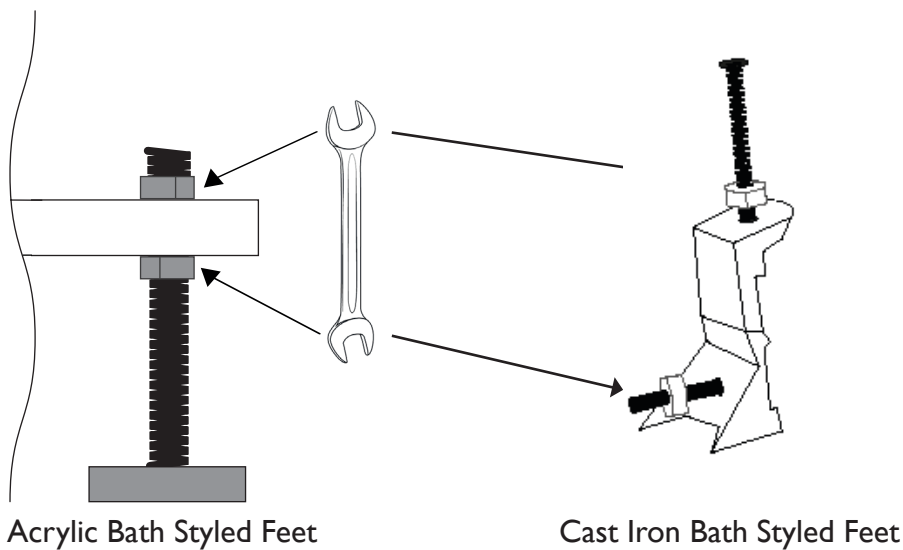


Fig.2

If the bath is to be installed on a suspended wooden floor or non-ground floor level, make suitable provision to strengthen the floor, where necessary. A structural engineer may be required to conduct a risk assessment. Do not assume the floor is strong enough without making a suitable assessment.

2



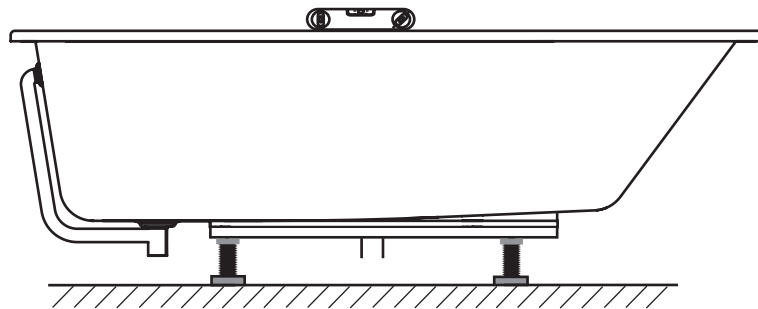
At this stage, you need to fit the feet on your bath by using the instructions which accompany the feet. Make sure you complete this part of the installation before continuing past this section.

⚠ Do not stand in the bath during the installation.

# Installation

3

NOTE : Wooden frame under the rim needs to remain in place for wooden supports ⚠



Acrylic feet shown are an example

Ensure the floor is flat and level. Using the height of the bath panel purchased, adjust the height of the bath. Check the rim fall by positioning the straight edge or spirit level 45 degrees from outside corner across to the rim of the product. By levelling the bath, you are making sure it drains correctly.

4

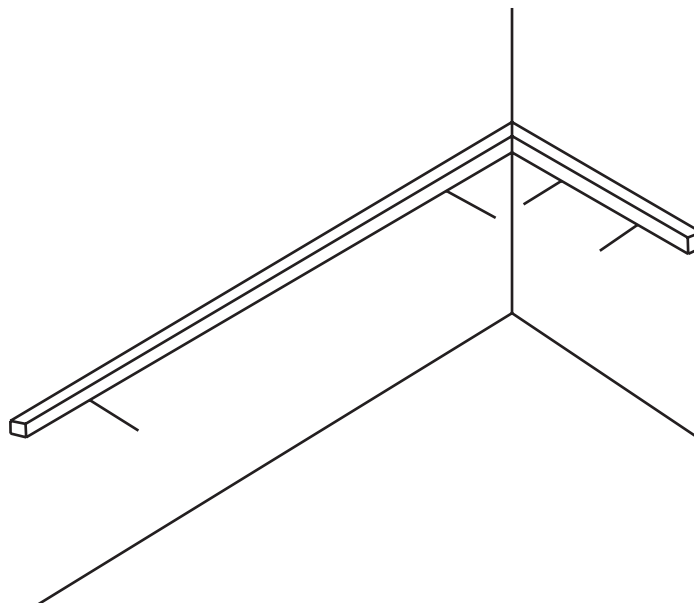


Fig.6

Mark the feet and screw hole position on the floor and drill the holes. Scribe a line on the wall to the underside of the rim. Remove the bath, and fit a softwood batten to this line to act as additional support to the rim. (See Fig.6). Apply a sparing amount of silicone sealant to the outer rim of the bath, which will be adjacent to the wall. The bath can now be fixed in place permanently, securing the feet to the floor. Foot fixing can be seen in Fig 5.

# Installation

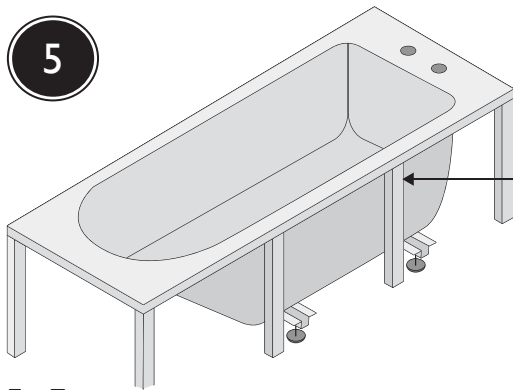


Fig.7

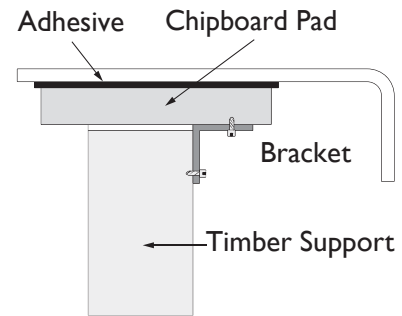
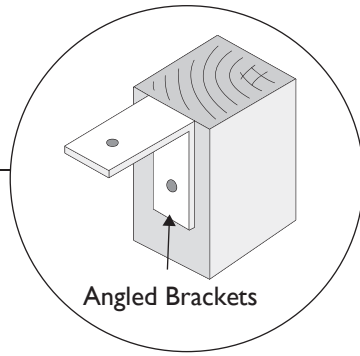


Fig.8

On the remaining unsupported edges of the bath, we recommend the fabrication and fitment of additional wooden supports or framework as per illustration. The example shown involves the use of timber to adhere to the underside of the rim which then support vertical timber batons which are fixed in place using angled brackets (See Fig 7). We would recommend the use of an appropriate adhesive to secure the pads and ensure they are level (see Fig 8). All these materials need to be acquired separately and are not supplied with this product. Be very careful to use suitable screws which will not penetrate finished surfaces.

6

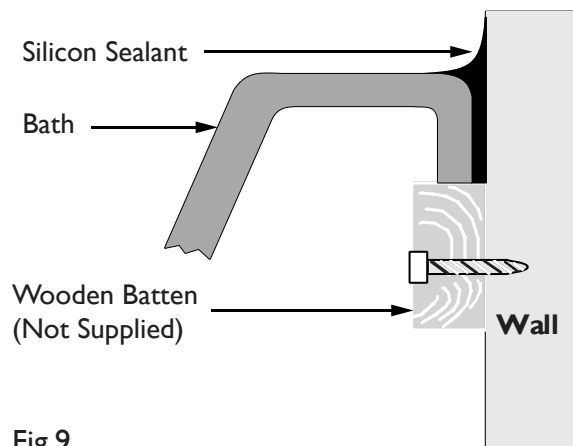


Fig.9


Once you have fitted the bath taps and waste and they are made leaktight, you can fill the bath, checking for leaks. The next part of the installation is to seal around the wall facing side with a neat bead of silicon seal, using the colour of your choice (not supplied), this should be done with the bath full of water. Allow the silicon sealant to completely dry before emptying the bath. This will form a waterproof seal and prevent water getting down the back of the bath. Finally, fit the bath panel according to the instructions supplied with it.



---


## *Caring for your bath*

---



For everyday cleaning we recommend using a soft damp cloth or just warm soapy water.

You should never use abrasive cleaners on your bath, they will scratch the surface of the acrylic or cast iron, which will affect the appearance of the glossy look.



If you do scratch your bath, we recommend using an enamel cleaning agent or car polish (T-Cut) this will help to restore your bath back to a lustre finish.

Replace worn washers on dripping taps to prevent surface marking.

**Warning:** Solvents such as paint stripper or nail varnish remover will damage the bath.

**Important:** retain this information for future reference



**For further information, please e-mail Customer Services at [technical@heritagebathrooms.com](mailto:technical@heritagebathrooms.com)**



---

## Heritage Bathrooms Guarantee

---

When you buy a Heritage product, you can be confident that it not only features distinctive design, but that it has also been made to meet our rigorous quality standards.

We offer robust guarantees and an attentive aftercare service to ensure that if you do experience any issues, we can deal with a problem quickly, and effectively.

Please note that guarantees are only valid with proof of purchase.

Our guarantees are as follows:



---

## Register now for additional peace of mind

---

Register your product with us now and, if you do have any queries after installation, we'll be able to quickly identify the product and give you the best advice. It also means that you won't have to keep your proof of purchase to validate your guarantee. To register, simply go online at [www.heritagebathrooms.com/register](http://www.heritagebathrooms.com/register)

---

## Guarantee Terms and Conditions

---

This guarantee is in addition to your statutory and other legal rights and is subject to the following conditions:

The product was purchased within the United Kingdom or Republic of Ireland.

The product is used in domestic applications only.

The guarantee applies solely to the original purchaser with proof of purchase.

The installation must allow ready access to all products for the purpose of inspection, maintenance or replacement. Repair under this guarantee does not extend the original expiry date. The guarantee on any replacement parts or product ends at the original expiry date. Any part found to be defective during the guarantee period will be replaced without charge, providing that the product has been installed in accordance with the instructions given in this guide and used as the manufacturer intended. If the product is no longer available, Heritage will endeavour to provide the nearest equivalent.

---

## Heritage Bathrooms Guarantee

---

The guarantee does not cover:

- Damage or defects caused by General wear and tear (including special non-chrome finishes; components such as filters, seals, 'O' rings and washers)
  - Incorrect installation
  - Repair using non-Heritage parts
  - Accidental or wilful misuse
  - Corrosion and the use of inappropriate cleaning products.
  - System debris including the build-up of limescale (which can be controlled through regular servicing and maintenance)
- Compensation for loss of use of the product or consequential loss of any kind.

In the interests of continuous product improvement, Heritage reserves the right to alter product specifications without notice.

---

## Need help?

---

In the unlikely event that you encounter a problem with your Heritage product, you must, in the first instance, contact the retailer you purchased it from. They will advise as to whether it is due to a manufacturing fault or an installation fault. If the problem is due to a manufacturing fault, they will contact us to arrange and supply of a replacement product as soon as possible. To speak to a Heritage customer service advisor, please contact our technical helpline on **0330 026 8503**.

---

## Notes

---

Please use this space to add any notes which you or your installer may have regarding the servicing and/or installation of this product.



# HERITAGE<sup>®</sup>

## BATHROOMS

---

### *Contact Details*



---

Heritage Bathrooms  
Birch Coppice Business Park  
Dordon  
Tamworth  
B78 1SG

Website: [www.heritagebathrooms.com](http://www.heritagebathrooms.com)  
Customer Services Telephone: 0330 026 8503  
Email: [technical@heritagebathrooms.com](mailto:technical@heritagebathrooms.com)