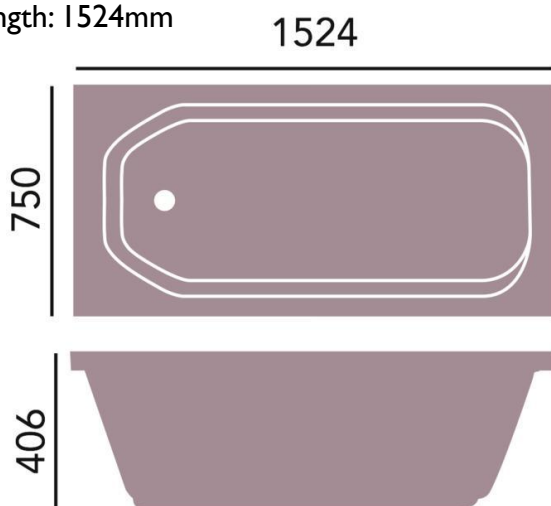


## Wynwood Solid Skin No Taphole Single Ended Acrylic Bath

### Product Specification

<b>Product Code:</b>	BBW1575S
<b>Finish:</b>	White
<b>Product Type:</b>	Classic
<b>Construction:</b>	Cast acrylic & designed to conform to BS4305-1 & BS4305-5
<b>Dimensions for fitting:</b>	Height: 406mm Width: 750mm Length: 1524mm
<b>Internal Dimensions:</b>	Length: 1350mm Width: 600mm
<b>Overflow to waste:</b>	310mm
<b>Water Capacity:</b>	185ltr



### Additional Information

- Smaller than conventional size, 1524mm (5ft) bath. Useful if you are renovating an old property.
- Includes Standard Bath Feet (BFI)
- Bath panels are available separately
- No taphole
- Solid Skin for additional reinforcement

**Technical Advice:** For further information please call 0844 701 8503 or email [technical@heritagebathrooms.com](mailto:technical@heritagebathrooms.com).

**Guarantee:** Lifetime covering manufacturing faults.

1 year covering labour (providing the product is registered)

LIFETIME  
GUARANTEE

