



Features:

- Available in vintage gold, rose gold and chrome
- Supplied with metal heads
- Can be deck or wall mounted. Can be used with stand pipes on a free standing bath.
- Compatible with low pressure water systems, optimised for UK market
- Quarter turn ceramic discs - for smooth operation and added durability

Product Certifications:



Additional Information:

Other Products in the Dawlish range include:

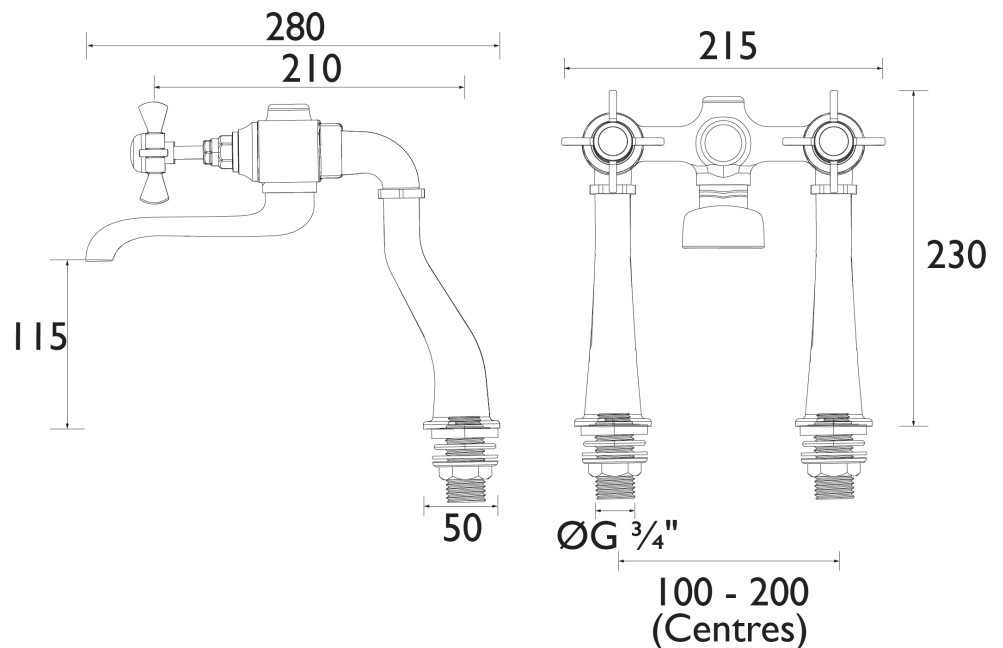
- Basin Taps
- Basin Mixer
- Bidet Mixer
- Bath Taps
- Bath Shower Mixer

Available in Chrome, Vintage Gold and Rose Gold

Specification

Product Type:	Bathroom Tap
Main Construction Material:	Brass
Mount Type:	Deck or Wall Mounted
Handle Type:	Crosshead
Connection Inlet:	G 3/4" BSP
Connection Outlet:	Open
Number of Tap Holes:	2
Valve/Cartridge Type:	Quarter Turn Ceramic Disc
Plumbing System Requirements:	All - Ideally Balanced
Working Pressure Range:	Min. 0.2, Max. 5.0 Bar
Maximum Hot Water Temperature: °C	65
Maximum Static Pressure: (bar)	10
Flow Type:	Single Flow
Isolation Included:	No

Dimensions (measurements in mm)



Flow Rates (l/min)

System Pressure (bar)	0.2	0.5	1	2	3	5
TDCRG072	27.7	45.6	64.4	91.2	111.6	144.1