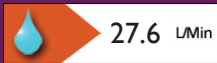




Features:

- Available in Chrome, Rose Gold and Vintage Gold
- Supplied with pop-up waste
- Compatible with low pressure water systems, optimised for UK market
- Quarter turn ceramic discs - for smooth operation and added durability

Product Certifications:



Additional Information:

Other Products in the Dawlish range include:

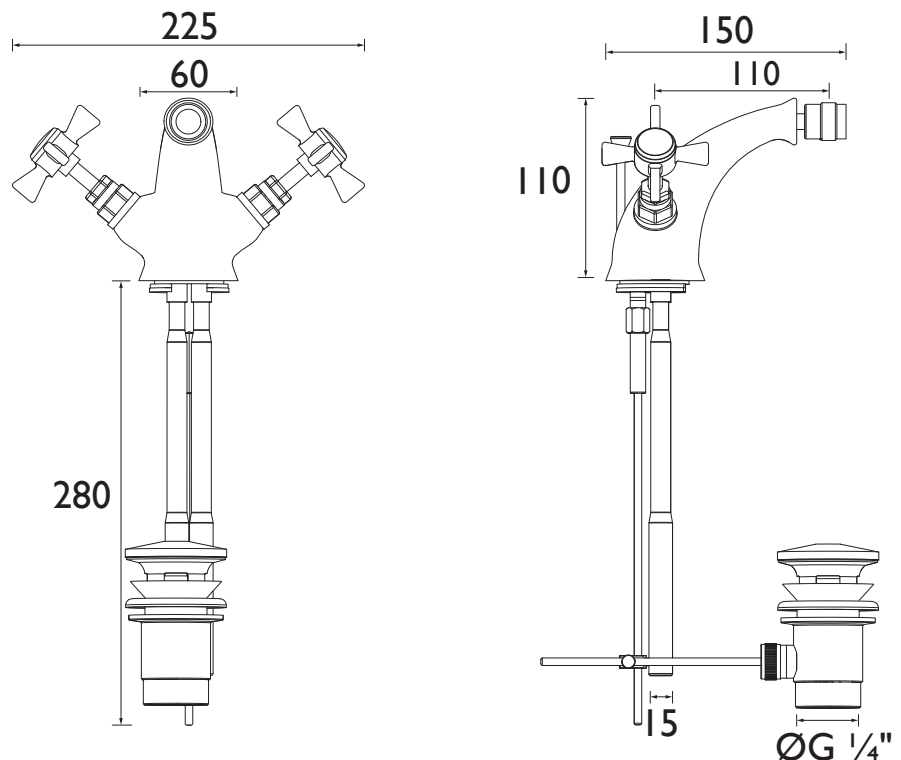
- Basin Taps
- Basin Mixer
- Bath Filler
- Bath Taps
- Bath Shower Mixer

Available in Chrome, Vintage Gold and Rose Gold

Specification

Product Type:	Bathroom Tap
Main Construction Material:	Brass
Mount Type:	Deck Mounted
Handle Type:	Crosshead
Connection Inlet:	M12 x 15mm Copper Pipes
Connection Outlet:	Open
Number of Tap Holes:	1
Valve/Cartridge Type:	Quarter Turn Ceramic Disc
Plumbing System Requirements:	All - Ideally Balanced
Working Pressure Range:	Min. 0.1 Bar, Max. 5.0 Bar
Maximum Hot Water Temperature: °C	65
Maximum Static Pressure: (bar)	10
Flow Type:	Single Flow
Isolation Included:	No

Dimensions (measurements in mm)



Flow Rates (l/min)

System Pressure (bar)	0.1	0.2	0.5	1	2	3	5
TDCRG05	5.1	7.12	11.3	16.26	22.9	27.6	36.3