



Features:

- Large 6" premium fixed head
- Available in a selection of finishes

Product Certifications:



WRAS Certificate No: 2307903
WRAS Expiry Date: 31/07/2028



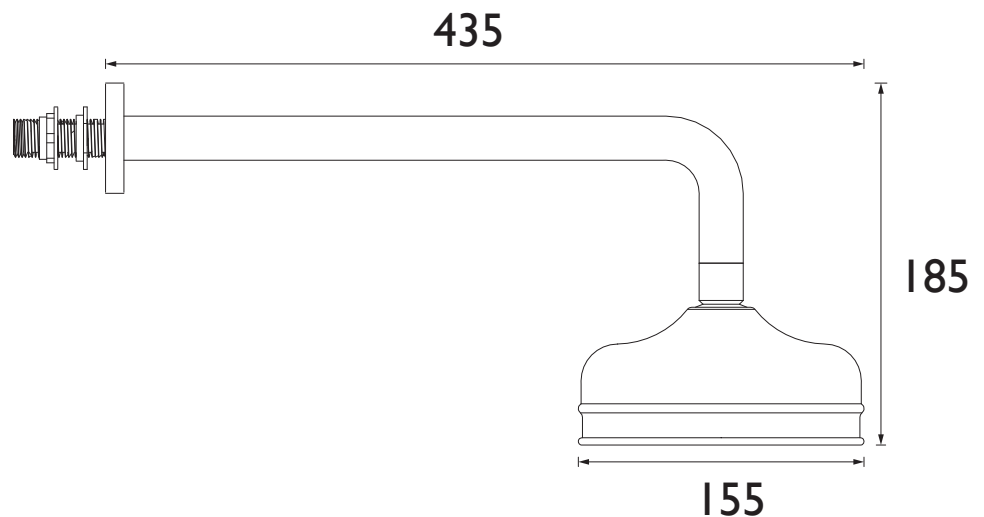
Additional Information:

Technical Data Sheet

Specification

| | |
|--|---|
| Finish/Colour: | Gold Plated |
| Main Construction Material: | Brass |
| Shower Head Type: | Shower Rose |
| Rub Clean Handset: | Y |
| Mounting Type: | Wall |
| Plumbing System Suitability: | Suitable for all plumbing systems |
| Minimum Dynamic Pressure (bar): | 0.2 bar |
| Maximum Dynamic Pressure (bar): | 5 bar |
| Maximum Static Pressure (bar): | 10 bar |
| Maximum Hot Water Supply Temperature °C: | 65 |
| Connection Outlet: | 1/2" BSP |
| Isolation Included: | N |
| What's Included: | 1x Fixed Head, 1x Shower Arm, 1x Arm Plinth, 1x Backnuts, 2x Fitting Instructions |

Dimensions (measurements in mm)



Flow Rates (l/min)

| System Pressure (bar) | 0.2 | 0.5 | 1 | 2 | 3 | 5 |
|----------------------------|-----|------|----|------|------|----|
| Through Fixed Head (mixed) | 9.4 | 14.8 | 21 | 29.7 | 36.4 | 47 |

