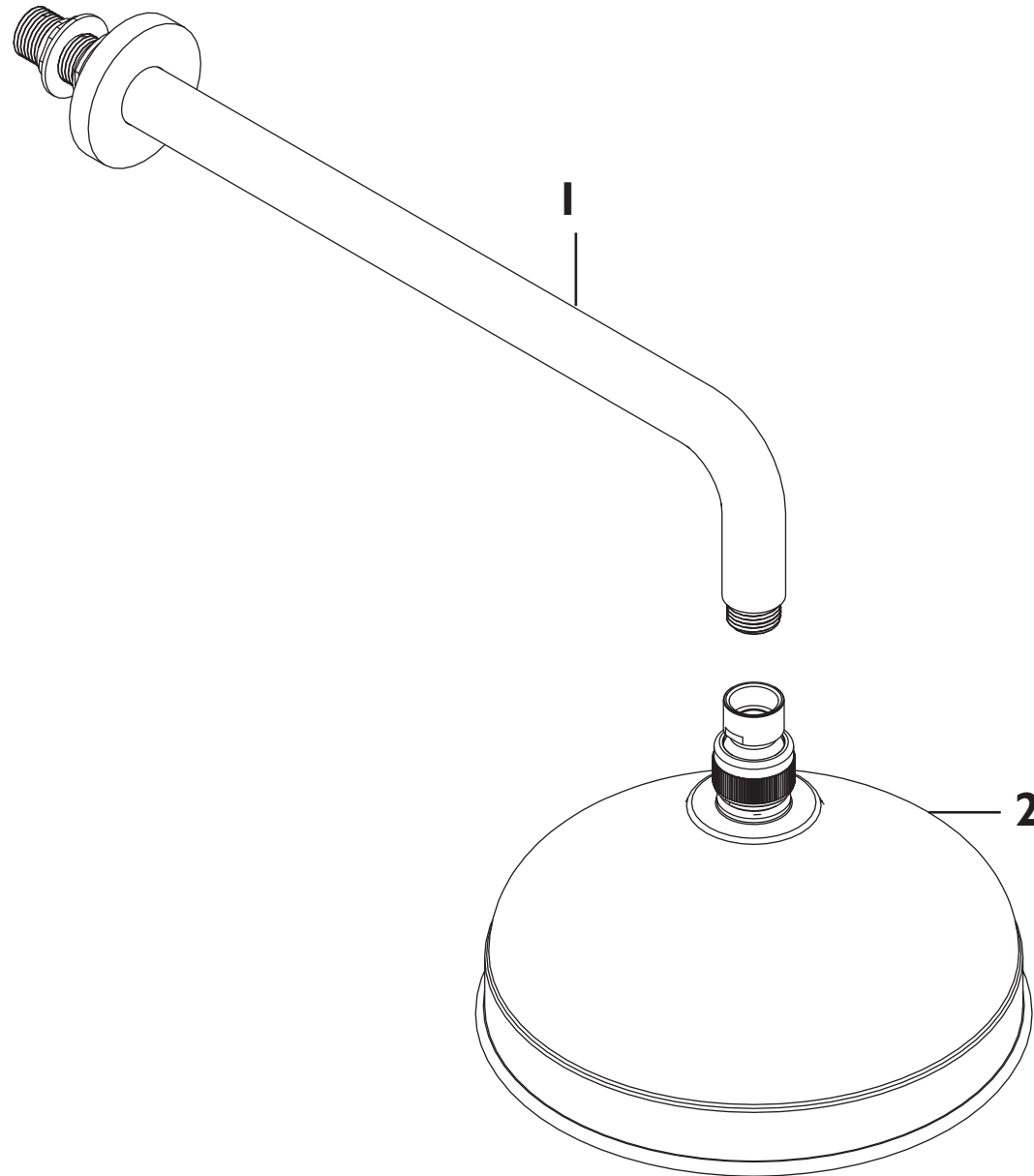


**Product Code:** STC09

**Revision:** D2



1	Shower Arm Assembly
2	Fixed Head