

SGRDDUAL05

GRACECHURCH Shower Range

Gracechurch Exposed Thermostatic Dual Control Shower valve with Deluxe Flexible Riser Kit Chrome



Features:

- 5 Year Guarantee
- Chrome plated to BS EN 248:2002
- Supplied with 2x 8 litres per minute flow regulators, shower hose, adjustable riser and single mode handset
- Adjustable inlet centres mean you can use existing pipework with centres measuring anything between 136mm and 158mm.
- Factory fitted regulators means

Product Certifications:

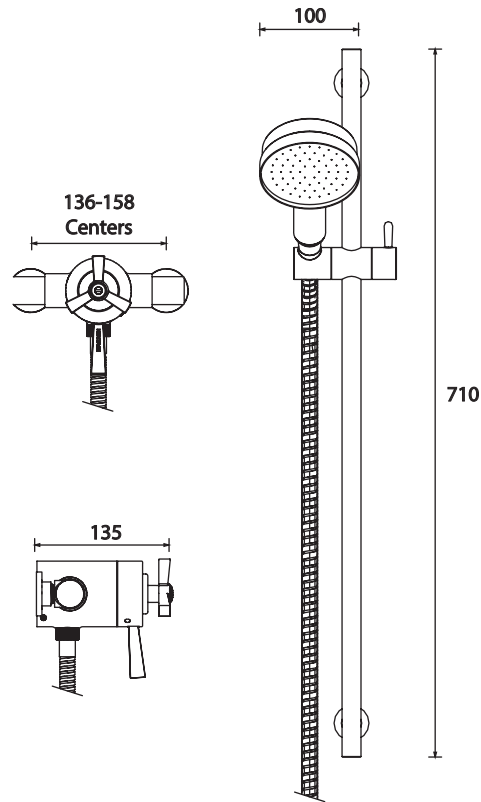


Additional Information:

Specification

Main Construction Material:	Brass
No of Controls:	2
Shower Type:	Exposed Thermostatic Dual Control Shower Valve
Shower Head Type:	Deluxe Flexible Riser Kit
Valve/Cartridge Type:	Thermostatic
Maximum Hot Water Supply Temperature °C:	65
Maximum Static Pressure: (bar)	10
Plumbing System Suitability:	Suitable for all plumbing systems, preferably
Working Pressure Range:	Min: 0.2 Max: 5.0
Connection Inlet:	1/2"
Connection Outlet:	1/2"
Isolation Valve Included:	No
Check Valve Included:	Yes

Dimensions (measurements in mm)



Flow Rates (l/min)

System Pressure (bar)	0.2	0.5	1	2	3	5
With Flow Regulators	3.59	5.68	8.03	11.35	13.9	17.95
Without Flow Regulators	11.72	18.53	26.2	37.05	45.38	58.59

TECHNICAL DATA SHEET



HERITAGE[®]

BATHROOMS

D3