

# SGRDDUAL04

## GRACECHURCH Shower Range

Gracechurch Exposed Thermostatic Dual Control Shower Valve with Deluxe Fixed Riser Kit and Diverter to Handset Chrome



### Features:

- Optimised for UK market, designed to work at pressure range of 0.1 - 5.0bar
- Thermostatic temperature control and automatic stop prevent surges of hot or cold water
- Performance Flow to provide a drenching experience
- Adjustable inlet centres, allowing you to use existing pipework with centres measuring anything between 136mm and 158mm.
- Extra-large 8" shower rose, deluxe 4" handset and soap basket included

### Product Certifications:

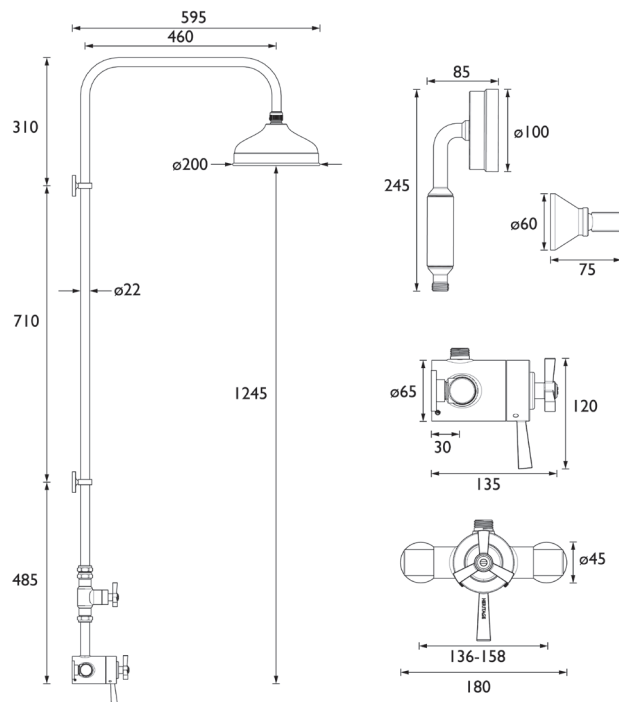


### Additional Information:

### Specification

Finish/Colour:	Chrome Plated
Main Construction Material:	Brass
No of Controls:	2
Shower Type:	Exposed Concentric Valve
Shower Head Type:	Fixed Head with Swivel
Shower Kit:	Rigid Riser with Diverter
Valve/Cartridge Type:	Thermostatic Cartridge
Maximum Hot Water Supply Temperature °C:	65
Plumbing System Suitability:	Suitable for all plumbing systems
Minimum Dynamic Pressure (bar):	0.2
Maximum Dynamic Pressure (bar):	5
Maximum Static Pressure (bar):	10
Connection Inlet:	15mm Compression
Connection Outlet:	G 1/2"
Isolation Valve Included:	No
Check Valve Included:	Yes

### Dimensions (measurements in mm)



### Flow Rates (l/min)

System Pressure (bar)	0.2	0.5	1	2	3	5
Through Handset (mixed)	4.1	8	11.9	14.4	15.6	15.8
Through Fixed Head (mixed)	5	8.6	12.7	14.7	15.5	16.1

# TECHNICAL DATA SHEET



# HERITAGE<sup>®</sup>

BATHROOMS

D5