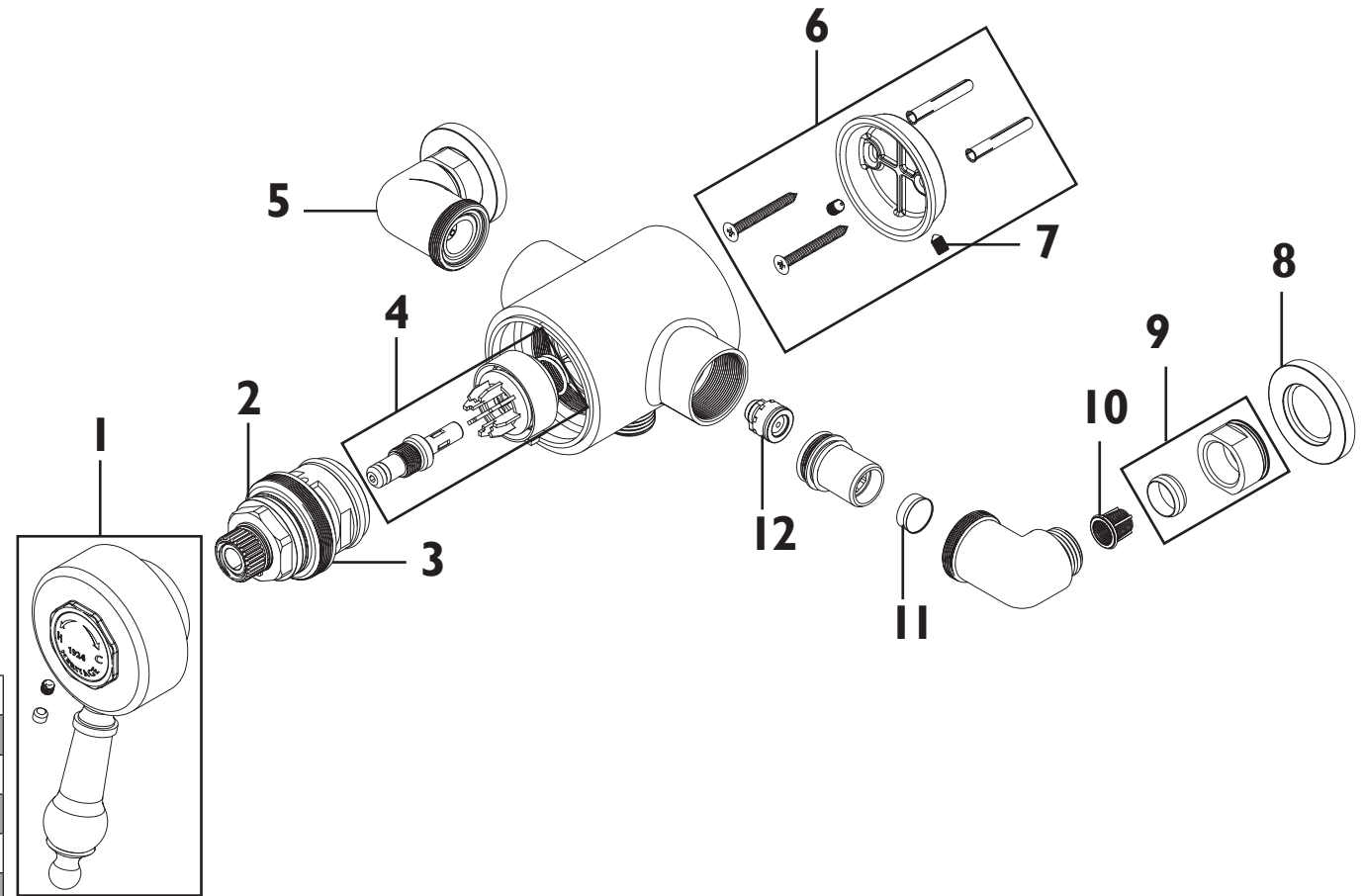


Product Code: SG_B03 RANGE

Revision: D2



1	Handle Assembly
2	Thermostatic Cartridge
3	Cartridge Seals Kit
4	Thermostat & Piston Assembly
5	Elbow Assembly (Pair)
6	Backplate and Fixings
7	Grub Screw (Pair)
8	Plinth
9	Nut & Olive
10	Filter
11	8lpm Flow Limiter
12	Check Valve