



### Features:

- 5 Year Guarantee
- Chrome plated to BS EN 248:2002
- Supplied adjustable riser and single mode handset
- Adjustable inlet centres mean you can use existing pipework with centres measuring anything between 136mm and 158mm.
- Factory fitted regulators means this is a water saving shower
- Matching taps available

### Product Certifications:

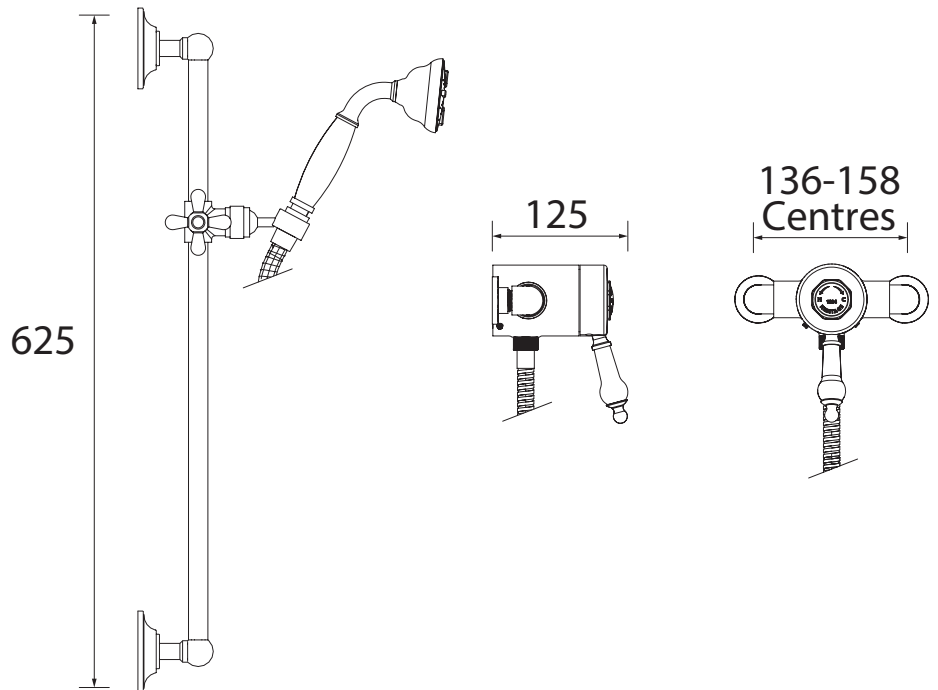


### Additional Information:

### Specification

Main Construction Material:	Brass
No of Controls:	1
Shower Type:	Exposed Thermostatic Single Control Shower
Shower Head Type:	Premium Flexible Riser Kit
Valve/Cartridge Type:	Thermostatic
Maximum Hot Water Supply Temperature °C:	65
Maximum Static Pressure: (bar)	10
Plumbing System Suitability:	Suitable for all plumbing systems, preferably
Working Pressure Range:	Min: 0.2 Max: 5.0
Connection Inlet:	1/2"
Connection Outlet:	1/2"
Isolation Valve Included:	No
Check Valve Included:	Yes

### Dimensions (measurements in mm)



### Flow Rates (l/min)

System Pressure (bar)	0.2	0.5	1	2	3	5
Through Handset without Flow Regulators	5.2	10.1	17.3	25.3	31	40
Through Handset with Flow Regulators	--	8.9	12.9	12.8	12.9	12.7