

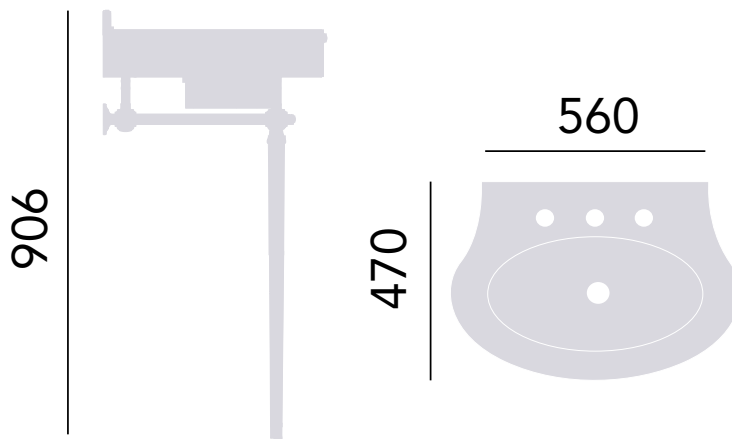
### Abingdon Claverton Washstand Chrome

#### Product Specification

**Product Code:** WSABCLA  
**Finish:** Chrome Plated  
**Product Type:** Furniture



**Basin not included**



**Overall Dimensions**

#### Additional Information

- Glass Shelf Available (WGABCLA)
- Basin Required: PCLW051 (1 hole), PCLW05 (2 hole) or PCLW053 (3 hole)
- Tested to EN:14688 (Load Test)

**Guarantee:** 5 Years

**Technical Advice:** For further information please call 0844 701 8503 or email [technical@heritagebathrooms.com](mailto:technical@heritagebathrooms.com).