



## Features:

## Product Certifications:

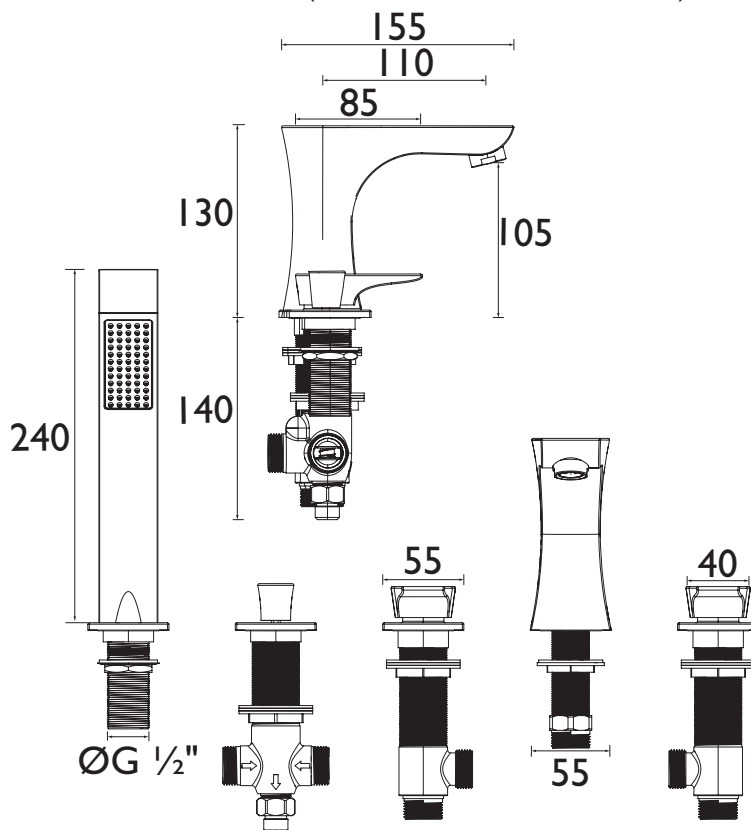


## Additional Information:

### Specification

Product Type:	Bathroom Taps
Main Construction Material:	Brass
Handle Type:	Lever Handles
Connection Inlet:	3/4" x 500mm Flexible Tails
Connection Outlet:	Open
Number of Tap Holes:	5
Valve/Cartridge Type:	Quarter Turn Ceramic Disc
Plumbing System Requirements:	Nominally Equal (Balanced)
	Supply Pressures Recommended for Optimum Perf.
Working Pressure Range:	Min. 0.4 Bar, Max. 5.0 Bar
Maximum Hot Water Temperature: °C	65
Maximum Static Pressure: (bar)	10
Flow Type:	Single Flow
Isolation Included:	No

### Dimensions (measurements in mm)



### Flow Rates (l/min)

System Pressure (bar)	0.2	0.5	1	2	3	5
TLYCG074		6.8	10.3	13.88	17	22.4