



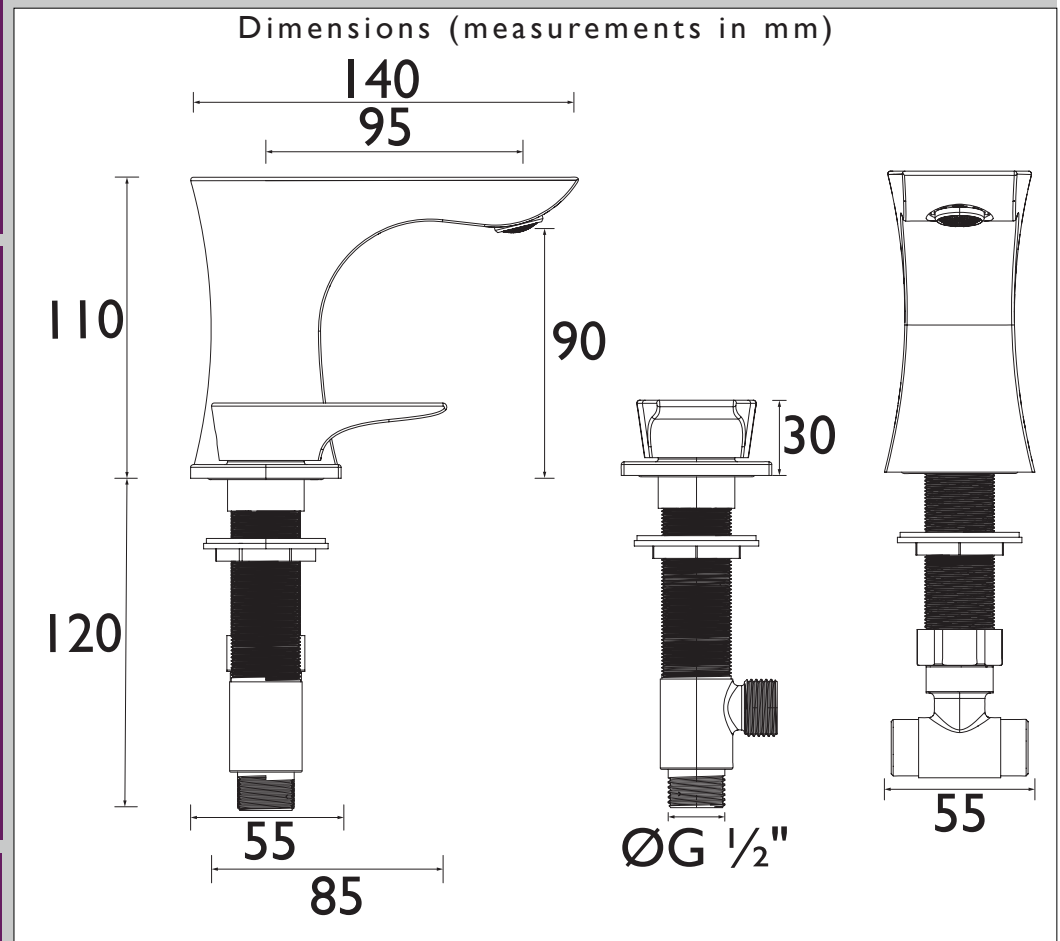
Specification	
Product Type:	Bathroom Taps
Main Construction Material:	Brass
Mount Type:	Deck Mounted
Handle Type:	Lever Handles
Connection Inlet:	1/2" BSP Inlet Connection
Connection Outlet:	Open
Number of Tap Holes:	3
Valve/Cartridge Type:	Quarter Turn Ceramic Disc
Plumbing System Requirements:	All - Ideally Balanced
Working Pressure Range:	Min. 0.2 Bar, Max. 5.0 Bar
Maximum Hot Water Temperature: °C	65
Maximum Static Pressure: (bar)	10
Flow Type:	Single Flow

## Features:

## Product Certifications:



## Additional Information:



Flow Rates (l/min)						
System Pressure (bar)	0.2	0.5	1	2	3	5
TLYCG06	8.6	14.4	21.1	36.7	29.97	45.8