

Specification	
Product Type:	Bathroom Taps
Main Construction Material:	Brass
Mount Type:	Wall Mounted
Handle Type:	Lever Handles
Connection Inlet:	22mm Compression
Connection Outlet:	Flow Straightener
Number of Tap Holes:	1
Valve/Cartridge Type:	Quarter Turn Ceramic Disc
Plumbing System Requirements:	All - Ideally Balanced
Working Pressure Range:	Min. 0.2 Bar, Max 5.0 Bar
Maximum Hot Water Temperature: °C	65
Maximum Static Pressure: (bar)	10
Flow Type:	Single Flow
Isolation Included:	No

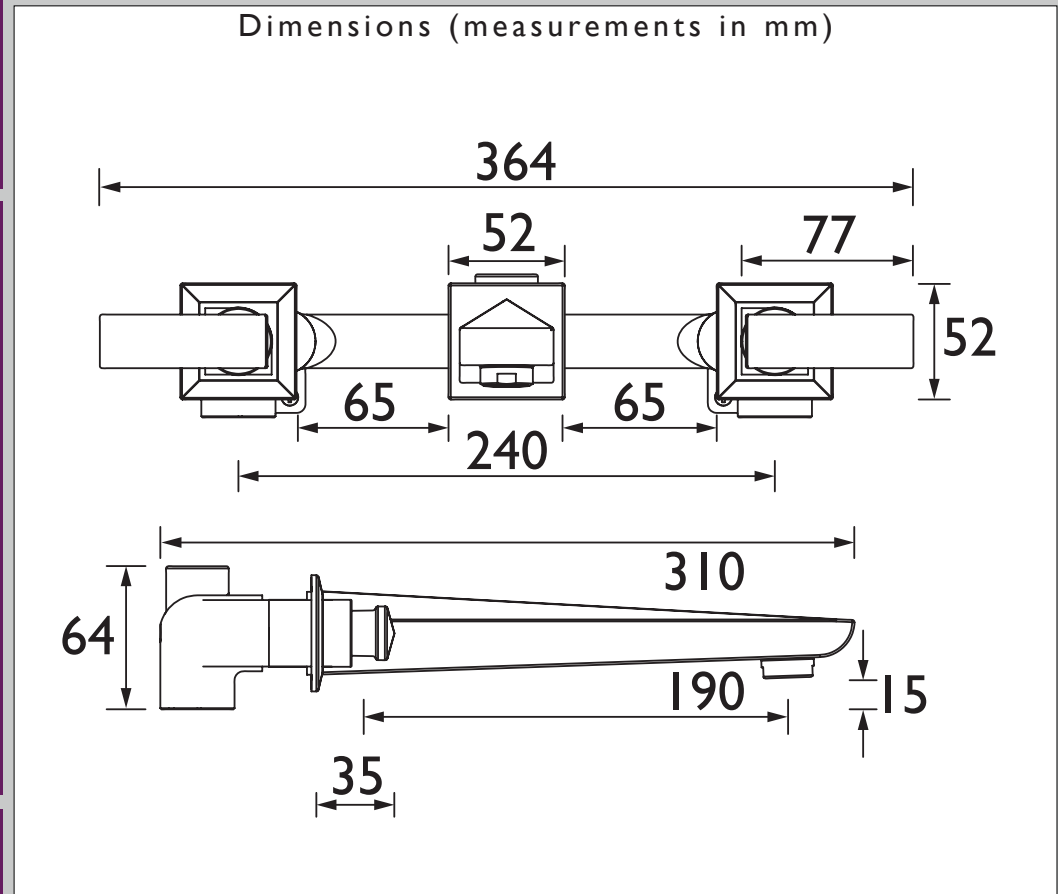
Features:

- Also available in Chrome

Product Certifications:



Additional Information:



Flow Rates (l/min)						
System Pressure (bar)	0.2	0.5	1	2	3	5
THPRG11	19.9	31.5	44.55	63	77.16	99.61