

### Features:

- Also available in Chrome
- Metal Handle

### Product Certifications:

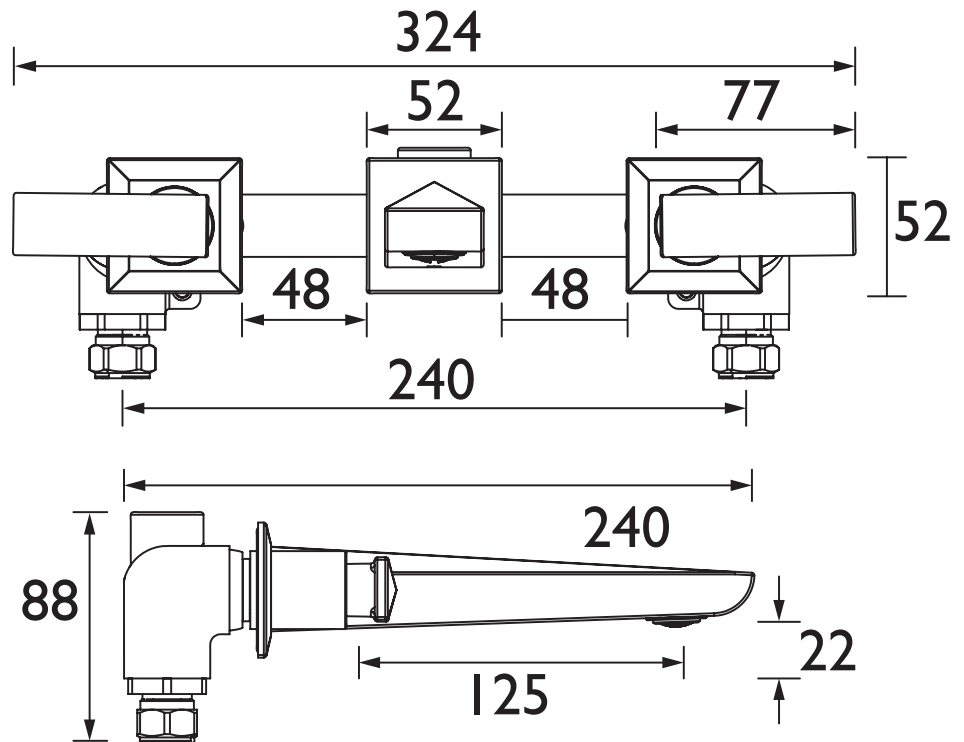


### Additional Information:

### Specification

Product Type:	Bathroom Tap
Main Construction Material:	Brass
Mount Type:	Wall Mounted
Handle Type:	Lever Handles
Connection Inlet:	15mm Compression
Connection Outlet:	Flow Straightener
Number of Tap Holes:	1
Valve/Cartridge Type:	Quarter Turn Ceramic Disc
Plumbing System Requirements:	All - Ideally Balanced
Working Pressure Range:	Min. 0.2 Bar, Max. 5.0 Bar
Maximum Hot Water Temperature: °C	60
Maximum Static Pressure: (bar)	10
Flow Type:	Single Flow
Isolation Included:	No

### Dimensions (measurements in mm)



### Flow Rates (l/min)

System Pressure (bar)	0.2	0.5	1	2	3	5
THPRG10	12.6	16.24	22.5	34.4	39.8	54.3