

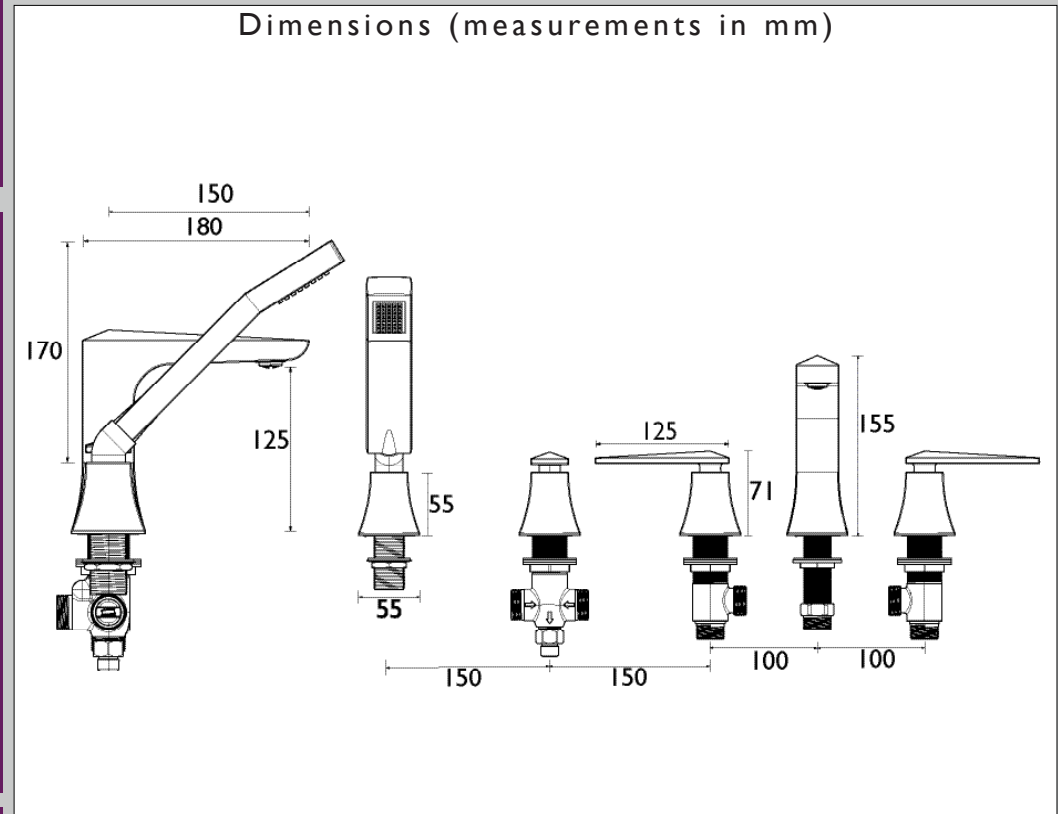


Specification	
Product Type:	Bathroom Taps
Main Construction Material:	Brass
Mount Type:	Deck Mounted
Handle Type:	Lever Handles
Connection Inlet:	G 3/4" BSP
Connection Outlet:	Open
Number of Tap Holes:	5
Valve/Cartridge Type:	Quarter Turn Ceramic Disc
Plumbing System Requirements:	All - Ideally Balanced
Working Pressure Range:	Min. 1.5 Bar, Max 5.0 Bar
Maximum Hot Water Temperature: °C	65
Maximum Static Pressure: (bar)	10
Flow Type:	Single Flow
Isolation Included:	No

Features:

- Long life and easy to use 1/4 turn ceramic disc valves
- Metal back nuts for added durability
- Includes 1.75m hose and rub-clean anti-limescale handset
- Maximum working pressure of 5.0 Bar systems, optimised for UK market
- Available in a selection of finishes

Product Certifications:



Additional Information:

- Five Year Guarantee

Flow Rates (l/min)						
System Pressure (bar)	0.2	0.5	1	2	3	5
Through Bath Filler (Mixed)	--	18.3	26.9	37.9	45.9	--
Through Handset (Mixed)	--	6	8.8	12.5	15.6	20.4