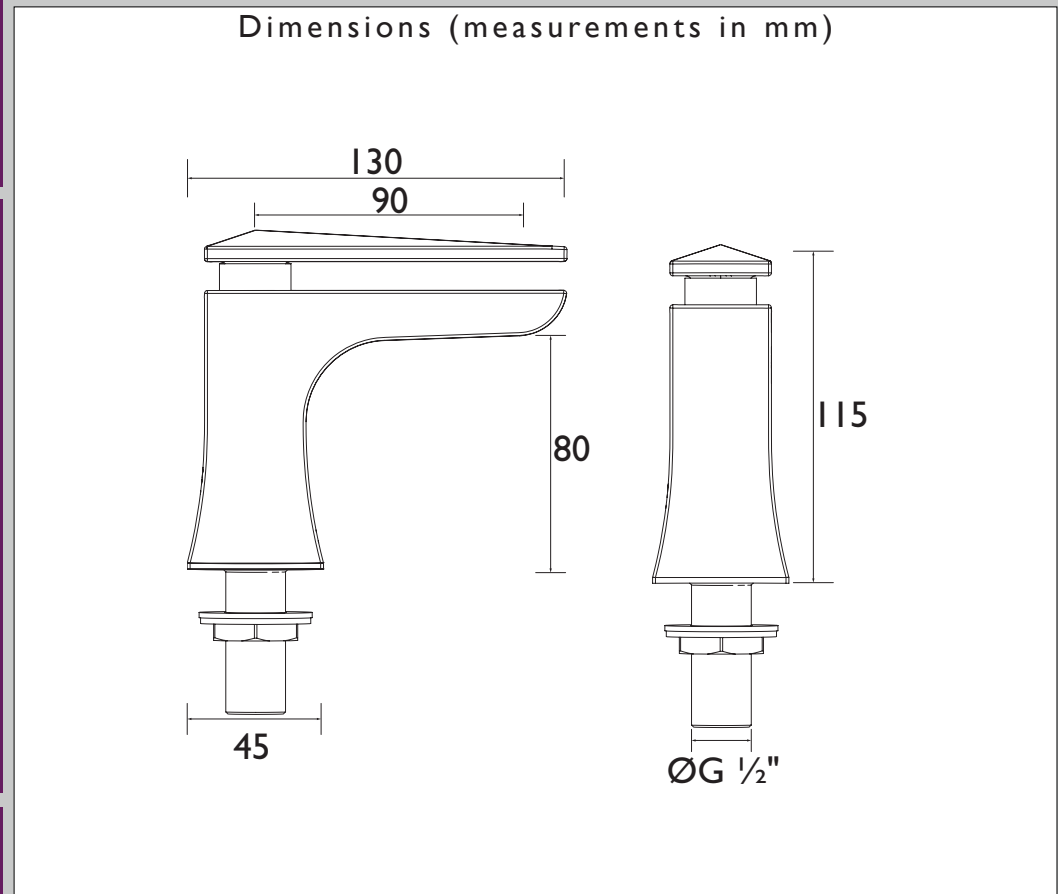




Specification	
Product Type:	BathroomTaps
Main Construction Material:	Brass
Mount Type:	Deck Mounted
Handle Type:	Lever Handles
Connection Inlet:	G 1/2" BSP
Connection Outlet:	Open
Number of Tap Holes:	2
Valve/Cartridge Type:	Quarter Turn Ceramic Valve
Plumbing System Requirements:	All - Ideally Balanced
Working Pressure Range:	Min. 0.2 Bar, Max. 5.0 Bar
Maximum Hot Water Temperature: °C	65
Maximum Static Pressure: (bar)	10
Flow Type:	Single Flow
Isolation Included:	No



Flow Rates (l/min)						
System Pressure (bar)	0.2	0.5	1	2	3	5
THPRG00	14.87	23.52	33.26	47.03	57.6	74.36

Features:

- Also available in Chrome

Product Certifications:



Additional Information:

