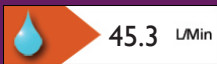




Features:

- Chrome Plated to BS EN 248
- Supplied With Pop-Up Waste
- Quarter turn ceramic discs - for smooth operation and added durability
- Compatible with low pressure water systems, optimised for UK market
- Available in a selection of finishes

Product Certifications:



Additional Information:

Other Products in the Gracechurch range include:

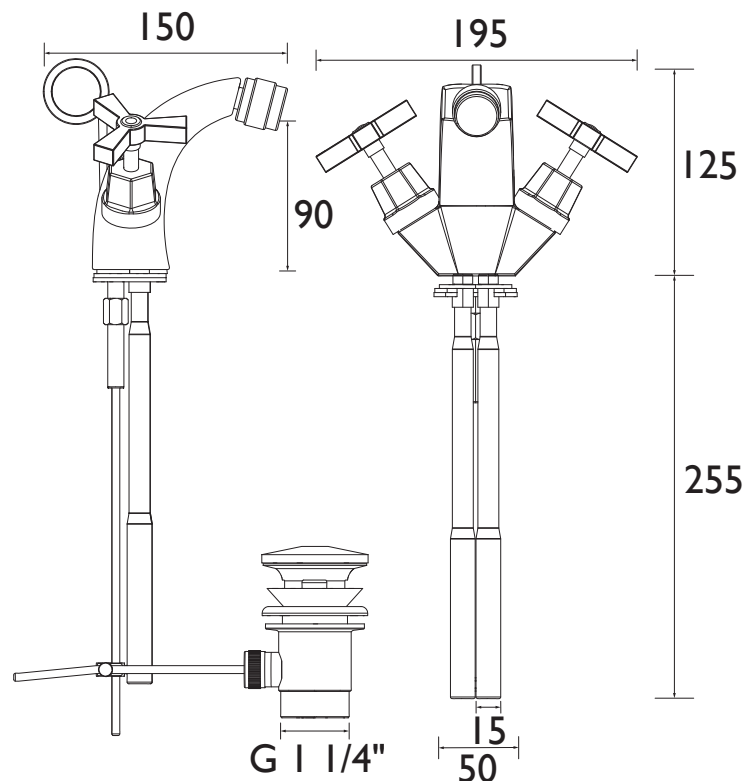
- Basin Taps
- Basin Mixer
- Bath Filler
- Bath Taps
- Bath Shower Mixer

Available in Chrome and Chrome with Mother of Pearl

Specification

Product Type:	Bathroom Taps
Main Construction Material:	Brass
Mount Type:	Deck Mounted
Handle Type:	Crosshead
Connection Inlet:	15mm Copper Tails
Connection Outlet:	Open
Number of Tap Holes:	1
Valve/Cartridge Type:	Quarter Turn Ceramic Disc
Plumbing System Requirements:	All - Ideally Balanced
Working Pressure Range:	Min. 0.2 Bar, Max. 5.0 Bar
Maximum Hot Water Temperature: °C	65
Maximum Static Pressure: (bar)	10
Flow Type:	Single Flow
Isolation Included:	No

Dimensions (measurements in mm)



Flow Rates (l/min)

System Pressure (bar)	0.2	0.5	1	2	3	5
TGRDMOP05	11.7	18.49	26.15	37	45.3	58.48