



Features:

- Everything you need in the box including copper tails and pop-up waste so nothing to buy separately.
- Long life 1/4 turn ceramic disc valves for added durability and smooth control.
- A hard-wearing, flawless, scratch resistant chrome finish that lasts for years. Salt spray tested to ensure added durability.
- 10 year parts and 1 year labour guarantee for peace of mind.
- Also available in other finishes.
- "Co-ordinating Bathroom taps, Recess shower and Accessories available.

Product Certifications:



WRAS Certificate No: 1806066
WRAS Expiry Date: 30/06/2023

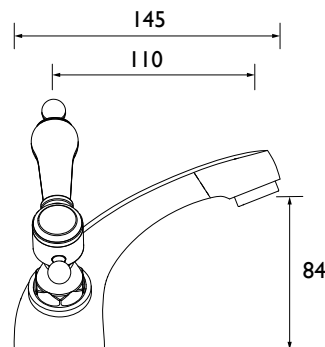
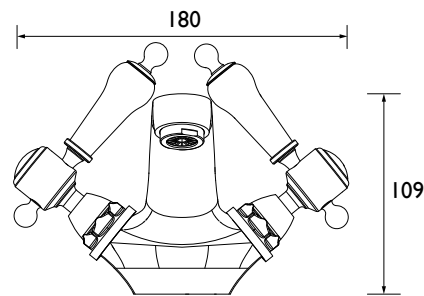


Additional Information:

Specification

Product Type:	Bathroom Tap
Main Construction Material:	Brass
Mount Type:	Deck
Handle Type:	Lever
Connection Inlet:	G1/2" BSP
Connection Outlet:	Flow Straightener
Number of Tap Holes:	1
Valve/Cartridge Type:	1/4 Turn 1/2" Ceramic Disc Valve
Plumbing System Requirements:	Suitable for all plumbing systems
Minimum Dynamic Pressure (bar):	0.4 bar
Maximum Dynamic Pressure (bar):	5.0 bar
Maximum Hot Water Temperature °C:	65°C
Maximum Static Pressure (bar):	10 bar
Flow Type:	Single
Isolation Included:	No

Dimensions (measurements in mm)



Flow Rates (l/min)

System Pressure (bar)	0.4	0.5	1	2	3	5
TGRBL04 (mixed)	21.4	24	33.9	47.9	58.7	75.8